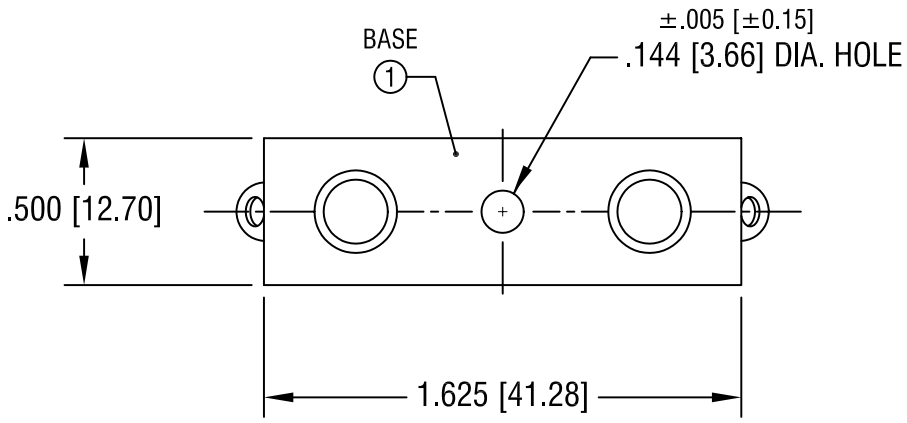
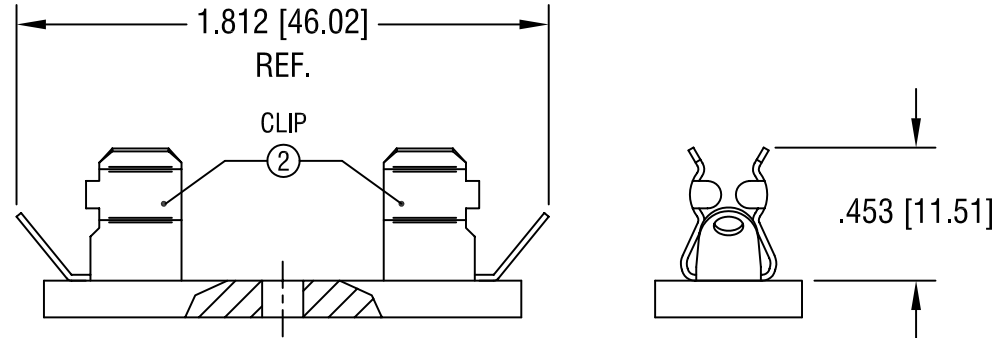


THIS DOCUMENT IS THE PROPERTY OF KEYSTONE ELECTRONICS CORP. AND SHALL NOT BE REPRODUCED, DISTRIBUTED OR USED AS A BASIS FOR MANUFACTURE WITHOUT PRIOR WRITTEN PERMISSION FROM KEYSTONE ELECTRONICS CORP.



NOTES:

- ① BASE:  
MAT'L: .125 [3.18] TH'K  
GPO-3, FLAME RETARDANT,  
UL 94V-0
- ② CLIP: P/N 3535

<b>KEYSTONE ELECTRONICS CORP.</b>			
ASTORIA, N.Y. 11105-2017			
PART NAME		3AG FUSE HOLDER	
MATERIAL		AS NOTED	
FINISH		DRN BY	DATE
AS NOTED		BOONE	10.16.96
		APP'D	SCALE
			1.5X
TOLERANCES	INCH	[MM]	CODE
DECIMAL	± .015	[± 0.38 ]	C
ANGULAR	± 1°		DWG NO.
UNLESS OTHERWISE SPECIFIED			<b>3540</b>

DATE	DESCRIPTION	REV.