

# CH Series Modular Fuse Holders

## Class J – 600V 1-60A

**Class J**



30A Version

60A Version

**Catalog Symbol:** CH30J\_(I) - 30A  
CH60J\_(I) - 60A

**Amp Range:** 1 to 60A

**Voltage Rating:** 600Vac/dc (or less)

**Withstand Rating (SCCR):** 200kA RMS Sym.

**Agency Information:**

CE, Listed UL 512, Guide IZLT, File E14853  
CSA Certified per C22.2 Nos. 39 Class 6225-01,  
File LR47235

**Recommended Cooper Bussmann Fuses:**

Class J time-delay with indication LPJ-SPI (Data Sheet 1062)

Class J time-delay LPJ (Data Sheet 1006)

Class J fast-acting JKS (Data Sheet 1026)

High Speed Class J Drive Fuse DFJ (Data Sheet 1048)

**Features:**

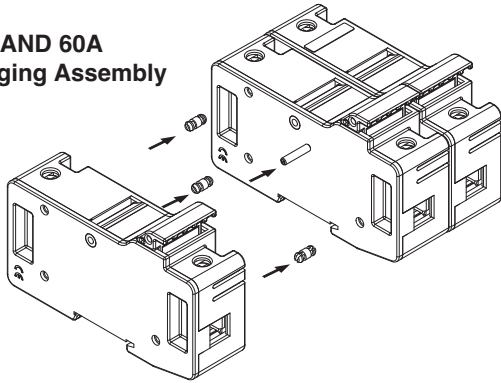
- Choice of Indication:
  - easyID™ window to view indicator on Cooper Bussmann LPJ-(amp)SPI fuses.
  - Neon lamp open fuse indicator.
- Comes in standard 1-, 2- & 3-Pole ganged assemblies (all fuses are extracted simultaneously).
- Kits are available for ganging units in the field.
- Meets requirements of IEC 60529 for IP20 finger-safe rating.
- 35mm DIN rail and panel (6-32 UNC pan head recommended) mounting.
- Fuse holder wire ports dual wire rated from 18 to 3AWG.

**Specifications:**

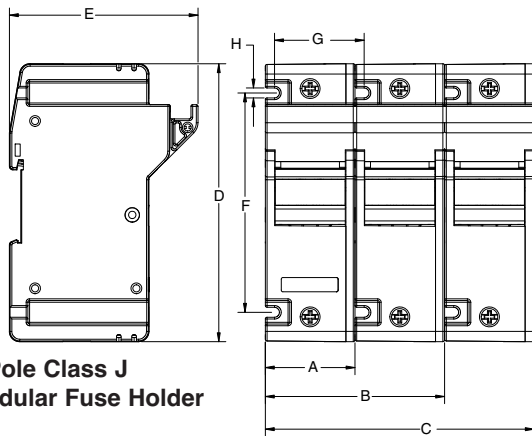
Fuse Sizes	0 to 30A Class J	35 to 60A Class J
Voltage Rating	600Vac/dc	600Vac/dc
Amperage Rating	Up to 30A	Up to 60A
Wire Range	18-1AWG Single 18-3AWG Dual 75°C	18-1AWG Single 18-3AWG Dual 75°C
Terminal Torque	10-18AWG/24in-lb 1-8AWG/35in-lb	10-18AWG/24in-lb 1-8AWG/35in-lb
IP Rating	IP20 (Finger-Safe)	IP20 (Finger-Safe)
Clip Material	Tin-Plated Copper	Tin-Plated Copper
Housing Material	UL 94V0 Thermoplastic	UL 94V0 Thermoplastic
Minimum Indicating Voltage (Neon Lamp)	90Vac/115Vdc	90Vac/115Vdc
Nominal Operating Current (Neon Lamp)	34mA (460Vac)	34mA (460Vac)
Max Operating Temperature	85°C	85°C
Storage & Operating Temperature Range*	-20°C to 75°C	-20°C to 75°C

\*For fuse selection on applications above or below 25°C, consult derating charts in Cooper Bussmann publication "Selecting Protective Devices" (SPD).

**30A AND 60A  
Ganging Assembly**



**3-Pole Class J  
Modular Fuse Holder**



**Catalog Numbers**

Max Fuse Size		easyID™ Window	Neon Lamp Indicating
30A	1-Pole	CH30J1	CH30J11
	2-Pole	CH30J2	CH30J21
	3-Pole	CH30J3	CH30J31
60A	1-Pole	CH60J1	CH60J11
	2-Pole	CH60J2	CH60J21
	3-Pole	CH60J3	CH60J31

**Accessories**

Part Number	Description	Carton Qty.
<b>2A1073</b>	Ganging Kit (3-Pole)	2 Spring Pins 6 Plastic Connectors
<b>2A1777</b>	Circuit Markers	100

**Dimensions - in (mm)**

Dimension	CH30J	CH60J
<b>A</b>	1.28 (32.5)	1.58 (40.0)
<b>B</b>	2.56 (65.0)	3.16 (80.0)
<b>C</b>	3.84 (97.5)	4.72 (120.0)
<b>D</b>	4.59 (116.6)	4.88 (124.0)
<b>E</b>	2.83 (71.8)	3.31 (84.1)
<b>F</b>	3.56 (90.4)	3.85 (97.9)
<b>G</b>	1.28 (32.5)	1.58 (40.0)
<b>H</b>	0.18 (4.44)	0.18 (4.44)

The only controlled copy of this Data Sheet is the electronic read-only version located on the Cooper Bussmann Network Drive. All other copies of this document are by definition uncontrolled. This bulletin is intended to clearly present comprehensive product data and provide technical information that will help the end user with design applications. Cooper Bussmann reserves the right, without notice, to change design or construction of any products and to discontinue or limit distribution of any products. Cooper Bussmann also reserves the right to change or update, without notice, any technical information contained in this bulletin. Once a product has been selected, it should be tested by the user in all possible applications.

© 2009 Cooper Bussmann  
St. Louis, MO 63178  
www.cooperbussmann.com