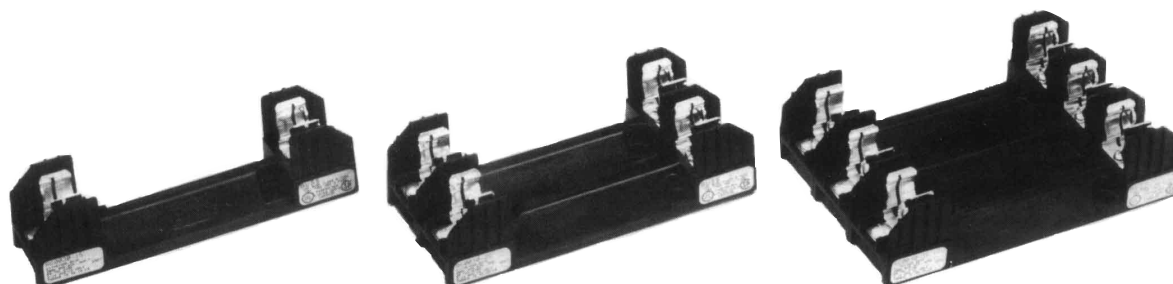


Class R Fuseblocks

250 Volts

R250 Series



Catalog Symbol: R250 Series

Ampere Rating: 1/10-600A

Voltage Rating: 250V

Agency Information:

UL Listed, UL 512, Guide IZLT, File E14853

CSA Certified, C22.2 No. 39,

Class 6225-01, File 47235

Withstand Rating: 200,000A RMS Sym.

For use with Class R fuses (LPN-RK and FRN-R)

UL Flammability: 94VO

Materials: Thermoplastic

Class R Fuseblocks (250V) Catalog Data (for LPN-RK, FRN-R, DLN-R and KTN-R Fuses)

Amps	Poles	Basic Catalog Number	Terminal Type (Suffix No.)					Fig. No.	Dimensions (Inches)										Wire Range
			Screw w/		Box Lug w/		0.25"		A	B	C	D	E	F	G	H	J Dia. x C' Bore	K	
			—	Pres. Plate	—	Clip Cu Only	Quick-Connect												
1/10 to 30	1	R25030-1	SR	PR	CR	COR	QR*	1	(See Figures)										COR #6-14 CU ONLY CR #2-14 CU, #2-12 AL PR #10-18 CU ONLY QR N/A SR #10-18 CU ONLY
	2	R25030-2	SR	PR	CR	COR	QR*	2											
3	R25030-3	SR	PR	CR	COR	QR*	3												
31 to 60	1	R25060-1	—	—	CR	COR	—	4	4.25	1.73	1.5	1.5	0.5	0.5	1.25	1.31	0.22 x 0.41	0.27	COR #2-14 CU ONLY CR #2-14 CU, #2-8 AL
	2	R25060-2	—	—	CR	COR	—	5			2.81								
	3	R25060-3	—	—	CR	COR	—	6			4.125								
61 to 100	1	R25100-1	—	—	CR	COR	—	7	(See Figures)										COR 1/0-8 CU ONLY CR 1/0-8 CU/AL
	2	R25100-2	—	—	CR	COR	—	8											
	3	R25100-3	—	—	CR	COR	—	9											
101 to 200	1	R25200-1	—	—	CR	—	—	10	7.125	3.15	3.0	2.06	0.5	2.0	3.0	0.75	—	0.31	CR 250kcmil-6 CU/AL
	3	R25200-3	—	—	CR	—	—	11	(See Figure)										
201 to 400	1	R25400-1	—	—	CR†	COR†	—	10	9.06	4.0	3.0	3.02	0.91	1.75	3.0	1.0	—	0.56	COR 500kcmil-4/0 CU ONLY CR 500kcmil-4 CU/AL
	3	R25400-3	—	—	CR†	COR†	—	12	9.06	4.0	4.0	2.5	0.82	9.25	10.88	1.0			
401 to 600	1	R25600-1	—	—	CR	—	—	10	11.0	4.97	3.0	4.0	1.125	1.75	4.0	1.0	—	0.56	CR (2) 500kcmil-4/0 CU/AL
	3	R25600-3	—	—	CR†	—	—	12	11.0	4.97	5.0	3.0	1.87	11.0	14.74	1.0			

*U.L. Recognized, No CSA Certification.

†No UL, No CSA Certification.

‡UL Recognized, CSA Certification

CE logo denotes compliance with European Union Low Voltage Directive (50-1000Vac, 75-1500Vdc). Refer to Data Sheet: 8002 or contact Bussmann Application Engineering at 314-527-1270 for more information.

Class R Fuseblocks

250 Volts

R250 Series

Dimensional Data

250V 1/10A to 30A

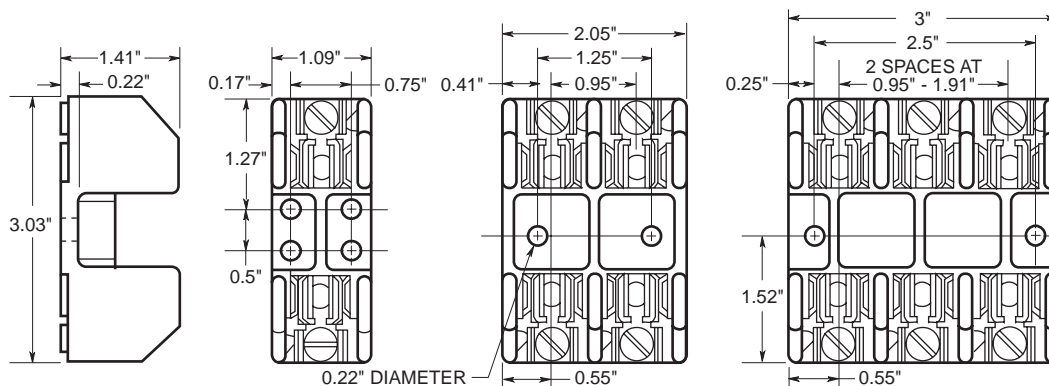


FIGURE 1.

FIGURE 2.

FIGURE 3.

250V, 31A to 60A

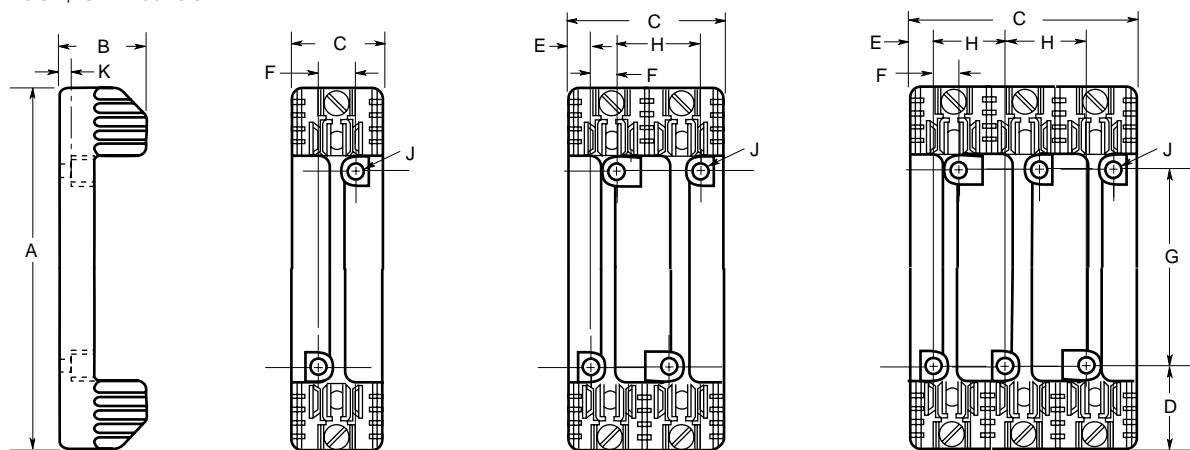


FIGURE 4.

FIGURE 5.

FIGURE 6.

250V, 61A to 100A

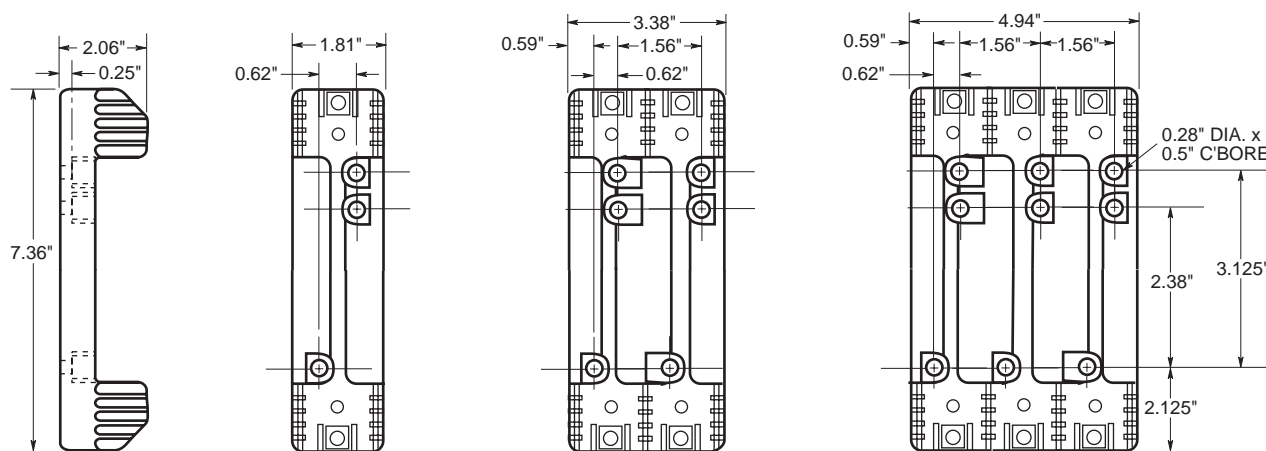


FIGURE 7.

FIGURE 8.

FIGURE 9.

Class R Fuseblocks

250 Volts

R250 Series

250V, 101A to 600A

250V, 101A to 200A

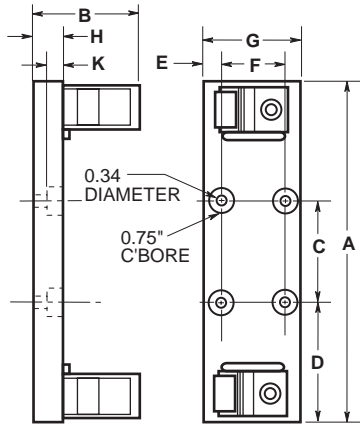


FIGURE 10.

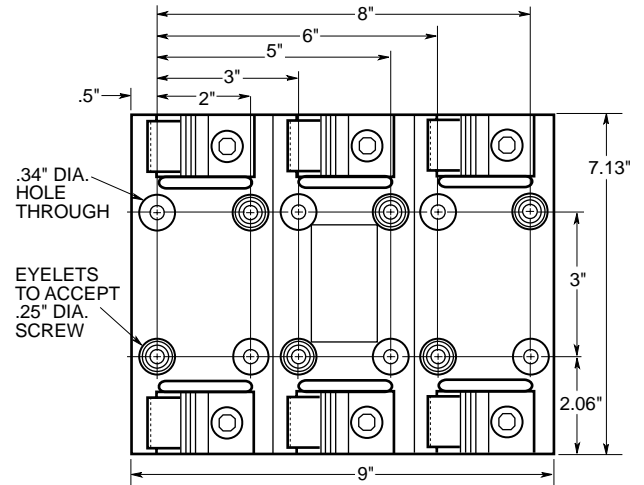
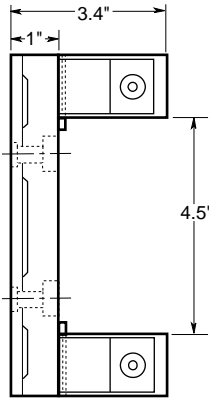


FIGURE 11.

250V, 201A to 600A

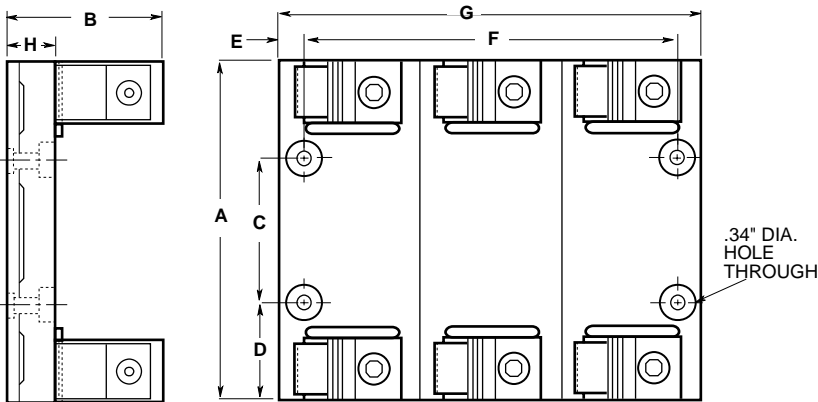


FIGURE 12.

The only controlled copy of this Data Sheet is the electronic read-only version located on the Bussmann Network Drive. All other copies of this document are by definition uncontrolled. This bulletin is intended to clearly present comprehensive product data and provide technical information that will help the end user with design applications. Bussmann reserves the right, without notice, to change design or construction of any products and to discontinue or limit distribution of any products. Bussmann also reserves the right to change or update, without notice, any technical information contained in this bulletin. Once a product has been selected, it should be tested by the user in all possible applications.