

Ferrule

# GBH, GBH-V 500V 10-30A



| Electrical Characteristics  |                        |                                     |                  | Ordering Information |                 |             |                    | Dimensions    | Curves              |
|-----------------------------|------------------------|-------------------------------------|------------------|----------------------|-----------------|-------------|--------------------|---------------|---------------------|
| Size                        | Rated Current RMS-Amps | I <sup>2</sup> t (A <sup>2</sup> S) |                  | Watts Loss           | Part Number     | Carton Qty. | Carton Weight (kg) | Figure Number | See Page or (BIF #) |
|                             |                        | Pre-arc                             | Clearing at 500V |                      |                 |             |                    |               |                     |
| 6 x 32mm<br>(1/4" x 1 1/4") | 10                     | 19                                  | 51               | —                    | GBH-010A6F      | 5           | 0.03               | Fig. 1        | Page 2              |
|                             | 12.5                   | 20                                  | 60               | 3.53                 | GBH-12.5A6F     |             |                    |               |                     |
|                             | 15                     | 44                                  | 146              | 3.08                 | GBH-015A6F      |             |                    |               |                     |
|                             | 16                     | 48                                  | 177              | 4.48                 | GBH-016A6F      |             |                    |               |                     |
|                             | 20                     | 75                                  | 259              | 4.26                 | GBH-020A6F      |             |                    |               |                     |
|                             | 25                     | 126                                 | 345              | —                    | GBH-025A6F      |             |                    |               |                     |
|                             | 30                     | 145                                 | 430              | —                    | GBH-030A6F      |             |                    |               |                     |
|                             | 10                     | 19                                  | 51               | —                    | † GBH-V-010A6F  | 4           | 0.03               | Fig. 2        | Page 2              |
|                             | 12.5                   | 20                                  | —                | 3.53                 | † GBH-V-12.5A6F |             |                    |               |                     |
|                             | 15                     | 44                                  | 146              | 3.08                 | † GBH-V-015A6F  |             |                    |               |                     |
|                             | 16                     | 48                                  | 177              | 4.48                 | GBH-V-016A6F    |             |                    |               |                     |
|                             | 20                     | 75                                  | 259              | 4.26                 | GBH-V-020A6F    |             |                    |               |                     |
|                             | 25                     | 126                                 | 345              | —                    | † GBH-V-025A6F  |             |                    |               |                     |
|                             | 30                     | 145                                 | 430              | —                    | † GBH-V-030A6F  |             |                    |               |                     |

† Consult Bussmann For UL Recognitions

1 kg = 2.2 lbs. 1 lb = 0.45 kg

- 10-30A 200% minimum opening current at rated voltage.
- Interrupting rating: 10-30A 5kA at ≥ 20% pf
- Consult Bussmann for DC ratings.
- Cold Ohm Resistance @ 25°C

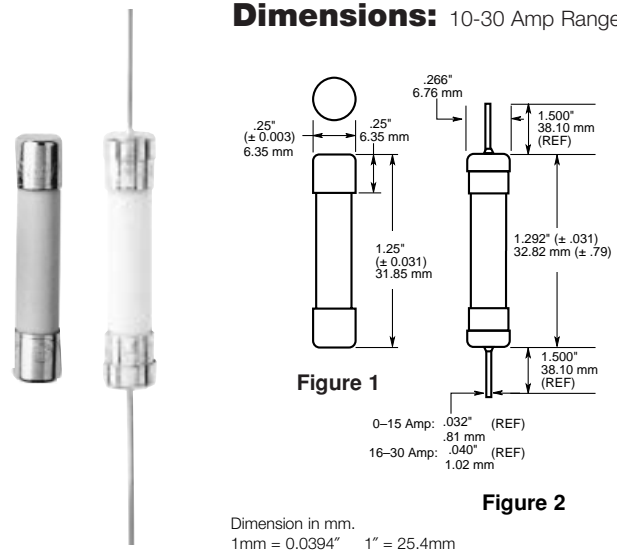
| GBH & GBH-V - 010A6F | 0.01450 - 0.01670 | OHMS |
|----------------------|-------------------|------|
| 12.5A6F              | 0.01110 - 0.01360 | OHMS |
| 15A6F                | 0.00861 - 0.00927 | OHMS |
| 16A6F                | 0.00761 - 0.00913 | OHMS |
| 20A6F                | 0.00605 - 0.00690 | OHMS |
| 25A6F                | 0.00482 - 0.00575 | OHMS |
| 30A6F                | 0.00417 - 0.00461 | OHMS |

- TUBE: CORDIERITE
- PACKAGE DIMENSIONS FOR GBH:  
1.37" x 1.57" x 0.32" (34.9mm x 39.8mm x 8.2mm)
- CAPS: CARTRIDGE BRASS  
BRIGHT NICKEL PLATE
- FILE: E56412
- GUIDE: JFHR2
- SUGGESTED HOLDERS FOR GBH:  
SERIES 8000, No. 2499, No. 4405,  
No. 4406, No. 4574
- (TRADEMARK)



- GBH-V: 1. CAP AND LEAD ASSEMBLY MUST WITHSTAND A PULL FORCE OF 5 lbs. MINIMUM.
- 2. AVAILABLE IN BULK QUANTITIES OF 3000-IN.  
EXAMPLE CATALOG SYMBOL: BK3/GBH-V 020A6F

## Dimensions: 10-30 Amp Range



### Blow Times

| Current Ratings | 150%      | 200%      | 300%      |
|-----------------|-----------|-----------|-----------|
| 10-30A          | < 30 min. | < 30 min. | ≤ 10 sec. |

CE CE logo denotes compliance with European Union Low Voltage Directive (50-1000 Vac, 75-1500 Vdc). Refer to BIF document #8002 or contact Bussmann Application Engineering at 636-527-1270 for more information.

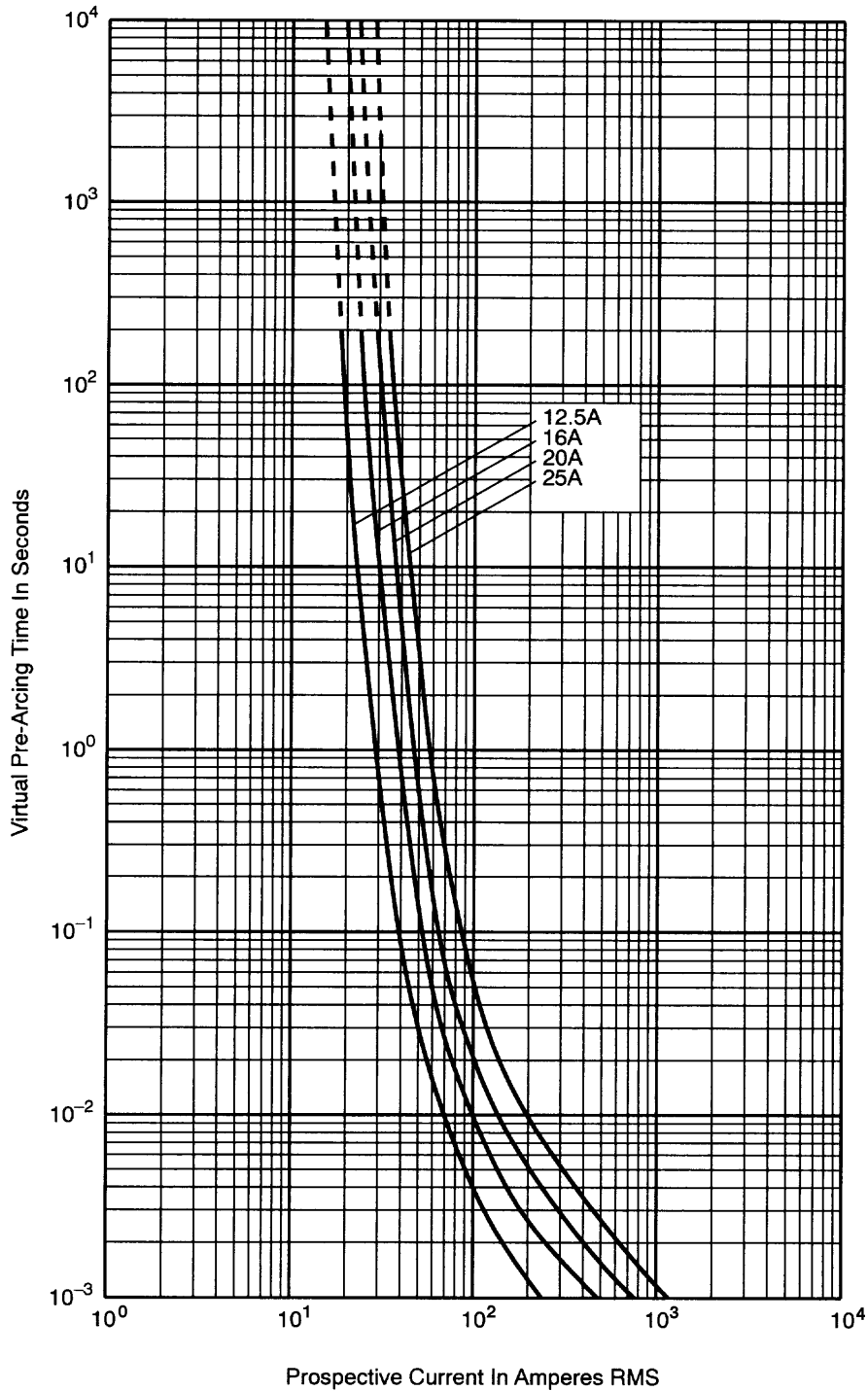
The only controlled copy of this BIF document is the electronic read-only version located on the Bussmann Network Drive. All other copies of this document are by definition uncontrolled. This bulletin is intended to clearly present comprehensive product data and provide technical information that will help the end user with design applications. Bussmann reserves the right, without notice, to change design or construction of any products and to discontinue or limit distribution of any products. Bussmann also reserves the right to change or update, without notice, any technical information contained in this bulletin. Once a product has been selected, it should be tested by the user in all possible applications.

Ferrule

**GBH, GBH-V 500V 10-30A**



Pre-Arcing Time-Current Characteristic Curve



The only controlled copy of this BIF document is the electronic read-only version located on the Bussmann Network Drive. All other copies of this document are by definition uncontrolled. This bulletin is intended to clearly present comprehensive product data and provide technical information that will help the end user with design applications. Bussmann reserves the right, without notice, to change design or construction of any products and to discontinue or limit distribution of any products. Bussmann also reserves the right to change or update, without notice, any technical information contained in this bulletin. Once a product has been selected, it should be tested by the user in all possible applications.