

CONFIDENTIAL: THIS DRAWING OR MATERIAL IS SUBMITTED TO YOU WITH THE CONFIDENCE THAT IT WILL BE USED ONLY FOR YOUR INFORMATION ON APPLICATION ENGINEERING STUDIES AND SHALL NEVER BE USED IN ANY MANNER DETRIMENTAL TO OUR INTEREST.

SCALE

UNLESS OTHERWISE SPECIFIED
TOLERANCES TO BE:
DECIMAL $\pm .005$ "
FRACTIONAL $\pm 1/64$ "
ANGULAR $\pm 2^\circ$

DATE

4-13-99

NO.

4406

TITLE

FUSEBLOCK

SUP. NO.

4406

DATED

3-31-94

DWG.

TCD

CK

JM

CHANGE

M

ENG.

ad.

MFG.

SALES

N99068

Bussmann Division
Cooper Industries
St. Louis, MO 63178

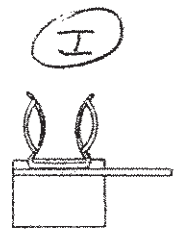
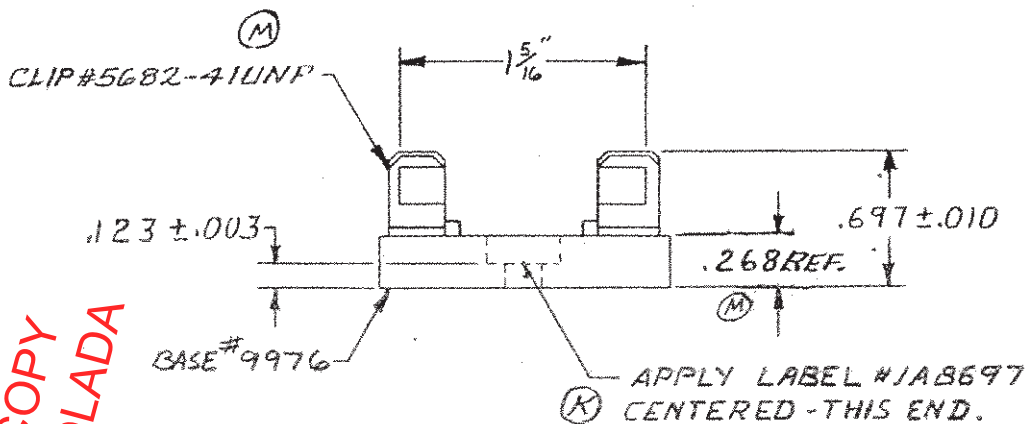
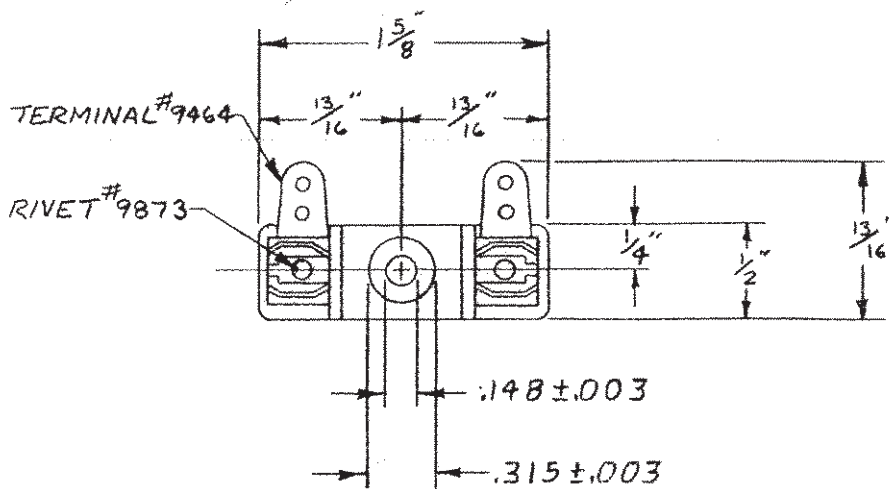
DISTRIBUTION

-56 J

③ REDRAWN

1 POLE FUSEBLOCK FOR
 $\frac{1}{4}$ " x $\frac{1}{4}$ " FUSES.

PAGE 1 OF 2



① PACKAGING SPECIFICATION #1P1063

UNCONTROLLED COPY
COPIA NO CONTROLADA

56 J

		DATE	TITLE	NO.
		4-13-99	FUSE BLOCK	4406
REV.	CHANGE DESCRIPTION	DATE	ECN#	
J	REDRAWN	12-1-83	SN40072	
K	ADDED #1A8697 LABEL	5-31-88	SN80383	
L	ADDED PKG SPEC #1P1063	3-31-94	SN40025	
M	ADDED "J" TO DISTRIBUTION AND REMOVED "N" * ADDED "UNP" TO CLIP #5682-41 AND REF. TO .268	4-13-99	N99068	

UNCONTROLLED COPY
COPIA NO CONTROLADA