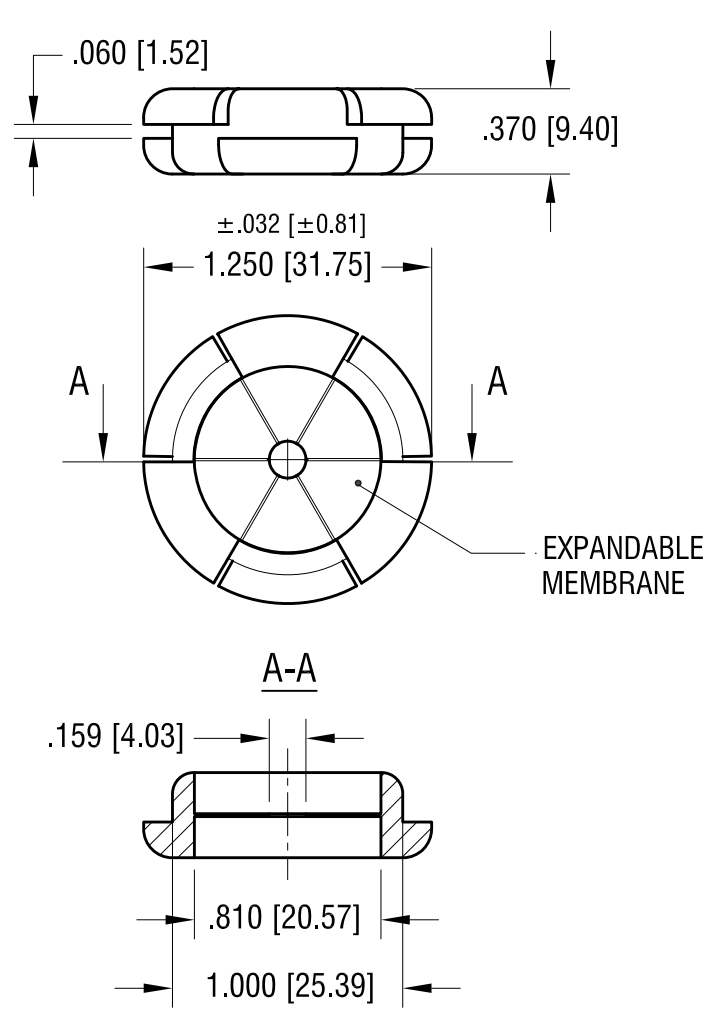


THIS DOCUMENT IS THE PROPERTY OF
KEYSTONE ELECTRONICS CORP. AND
SHALL NOT BE REPRODUCED, DISTRIBUTED
OR USED AS A BASIS FOR MANUFACTURE
WITHOUT PRIOR WRITTEN PERMISSION
FROM KEYSTONE ELECTRONICS CORP.



NOTES:

1. ACCOMMODATES WIRE DIAMETERS:
.187 [4.77] MIN. .750 [19.04] MAX.
2. MOUNTS INTO 1.000 [25.4] DIA. HOLE

KEYSTONE ELECTRONICS CORP.			
www.keyelco.com • ASTORIA, N.Y. 11105-2017 • Tel (718) 956-8900			
PART NAME		UNIVERSAL GROMMET	
MATERIAL		THERMOPLASTIC RUBBER	
FINISH	DRN BY	DATE	
-	NT	3.21.11	
	APP'D	SCALE	
		1X	
TOLERANCES	INCH	[MM]	CODE
DECIMAL	$\pm .020$	[± 0.50]	C/M
ANGULAR	$\pm 1^\circ$		
UNLESS OTHERWISE SPECIFIED			DWG NO.
			778

DATE	DESCRIPTION	REV.