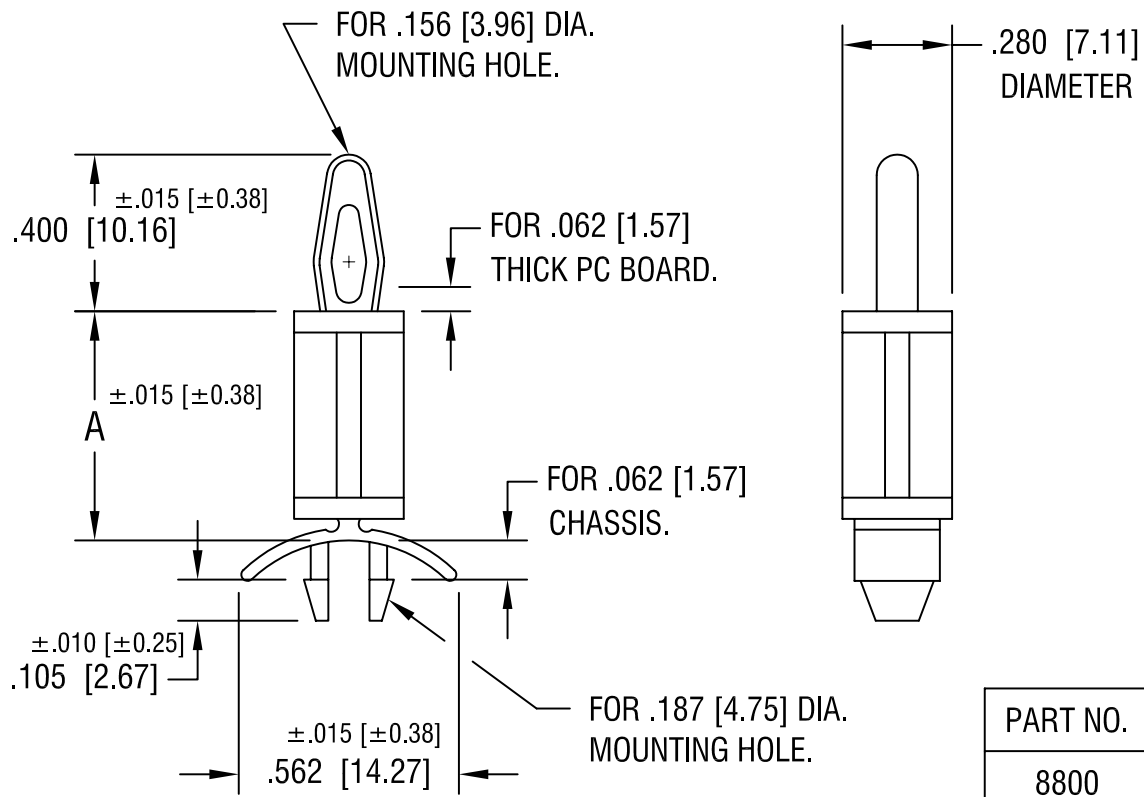


THIS DOCUMENT IS THE PROPERTY OF
KEYSTONE ELECTRONICS CORP. AND
SHALL NOT BE REPRODUCED, DISTRIBUTED
OR USED AS A BASIS FOR MANUFACTURE
WITHOUT PRIOR WRITTEN PERMISSION
FROM KEYSTONE ELECTRONICS CORP.



PART NO.	'A' DIM.
8800	.187 [4.74]
8801	.250 [6.35]
8802	.375 [9.52]
8803	.500 [12.70]
8804	.625 [15.87]
8805	.750 [19.05]
8806	.875 [22.22]

KEYSTONE ELECTRONICS CORP.			
ASTORIA, N.Y. 11105-2017			
PART NAME			
PC TENSION-FIT SUPPORT			
MATERIAL			
NYLON UL 94V-0			
FINISH		DRN BY	DATE
-		BOONE	8.25.95
		APP'D	SCALE
			2X
TOLERANCES	INCH	[MM]	CODE
DECIMAL	$\pm .005$	$[\pm 0.15]$	C
ANGULAR	$\pm 1^\circ$		
UNLESS OTHERWISE SPECIFIED			DWG NO.
			8800-8806

DATE	DESCRIPTION	REV.