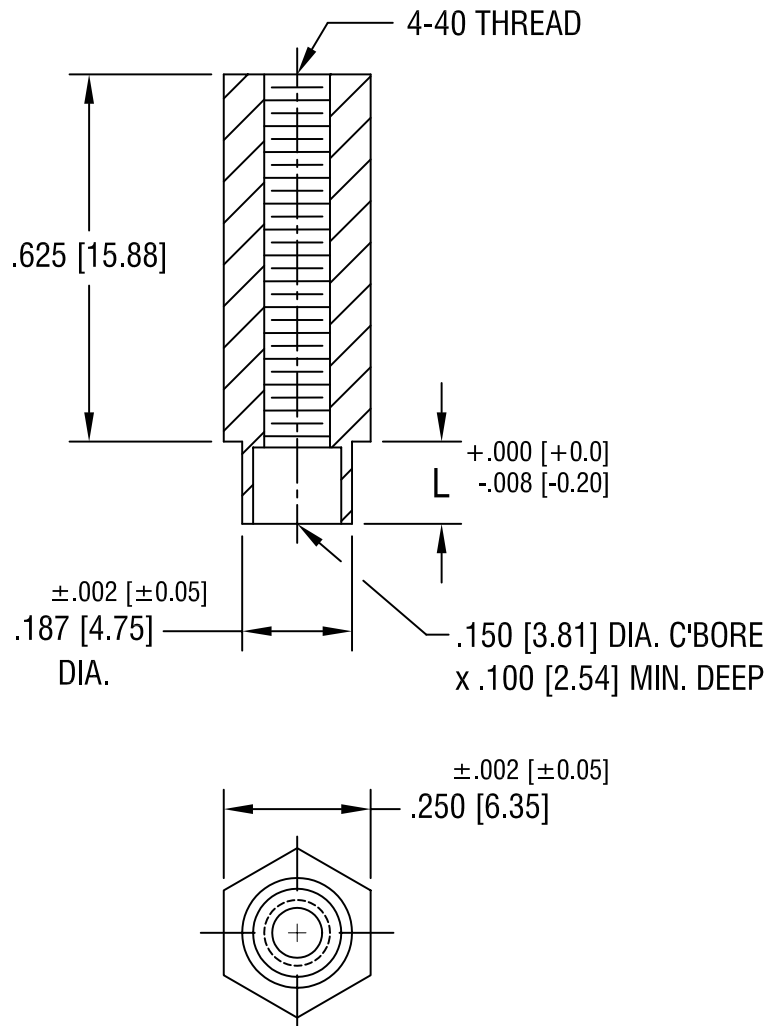


THIS DOCUMENT IS THE PROPERTY OF  
KEYSTONE ELECTRONICS CORP. AND  
SHALL NOT BE REPRODUCED, DISTRIBUTED  
OR USED AS A BASIS FOR MANUFACTURE  
WITHOUT PRIOR WRITTEN PERMISSION  
FROM KEYSTONE ELECTRONICS CORP.



PART NO.	'L' DIM.
1654-2	.109 [2.77]
1654-3	.140 [3.56]

5.13.02	CHANGE AS PER ECN 02-041	B
4.18.96	CHANGE AS PER ECR 96-022	A
DATE	DESCRIPTION	REV.

<b>KEYSTONE ELECTRONICS CORP.</b>			
ASTORIA, N.Y. 11105-2017			
PART NAME SWAGE THREADED STANDOFF			
MATERIAL BRASS			
FINISH DUCTILE NICKEL PLATE	DRN BY BOONE	DATE 7.1.82	
	APP'D	SCALE 3X	
TOLERANCES INCH [MM] DECIMAL ± .005 [± 0.15]	CODE C/M	DWG NO.	<b>1654-</b>
ANGULAR ± 1° UNLESS OTHERWISE SPECIFIED			