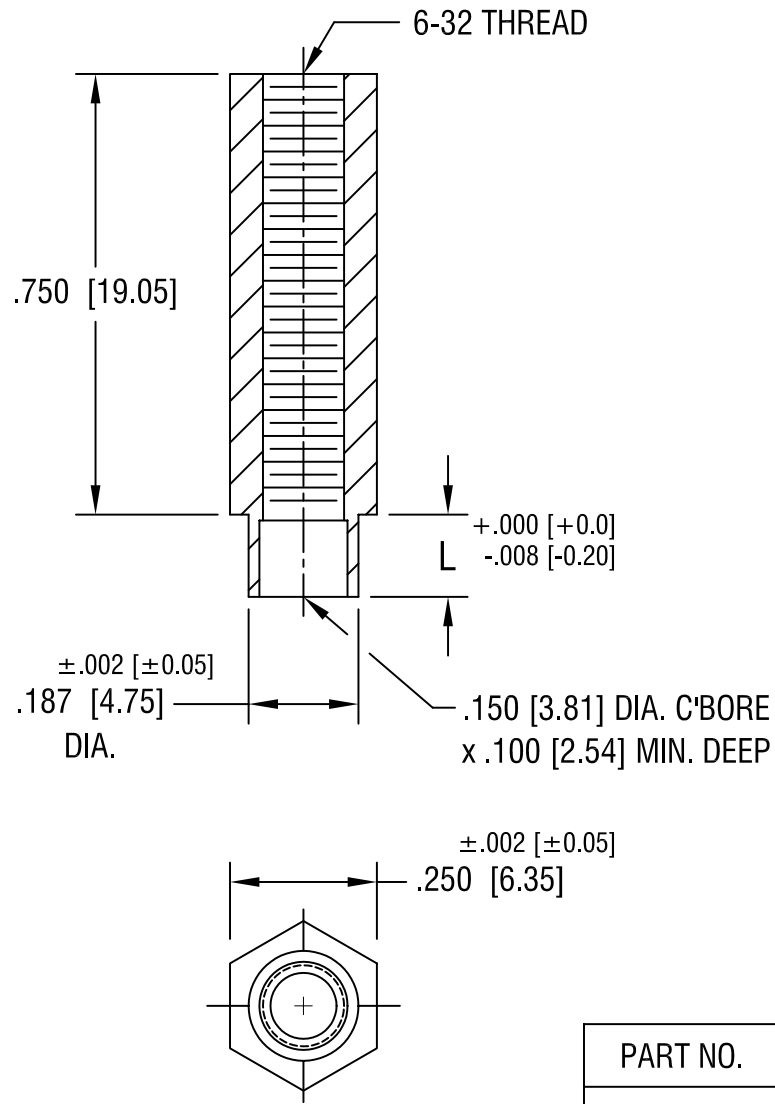


THIS DOCUMENT IS THE PROPERTY OF KEYSTONE ELECTRONICS CORP. AND SHALL NOT BE REPRODUCED, DISTRIBUTED OR USED AS A BASIS FOR MANUFACTURE WITHOUT PRIOR WRITTEN PERMISSION FROM KEYSTONE ELECTRONICS CORP.



PART NO.	'L' DIM.
1761-2	.109 [2.77]
1761-3	.140 [3.56]
1761-4	.171 [4.34]

**KEYSTONE ELECTRONICS CORP.**  
ASTORIA, N.Y. 11105-2017

PART NAME				SWAGE THREADED STANDOFF			
MATERIAL				BRASS			
FINISH		DUCTILE NICKEL PLATE		DRN BY	BOONE	DATE	7.1.82
				APP'D		SCALE	3X
TOLERANCES		INCH [MM]		CODE	DWG NO.		
DECIMAL		± .005 [± 0.15]		C/M	1761-		
ANGULAR		± 1°					
UNLESS OTHERWISE SPECIFIED							

5.16.02	CHANGE AS PER ECN 02-049	B
4.10.96	CHANGE AS PER ECR 96-018	A
DATE	DESCRIPTION	REV.