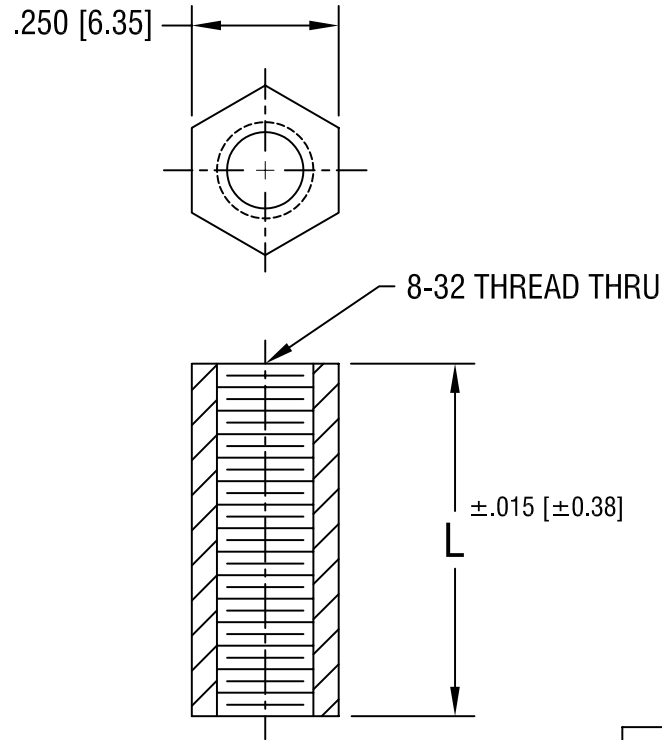


THIS DOCUMENT IS THE PROPERTY OF  
KEYSTONE ELECTRONICS CORP. AND  
SHALL NOT BE REPRODUCED, DISTRIBUTED  
OR USED AS A BASIS FOR MANUFACTURE  
WITHOUT PRIOR WRITTEN PERMISSION  
FROM KEYSTONE ELECTRONICS CORP.



PART NO.	'L' DIM.
8442A	.250 [6.35]
8442B	.375 [9.52]
8442C	.500 [12.70]
8442D	.625 [15.87]
8442E	.750 [19.05]
8442F	.875 [22.22]
8442G	1.000 [25.4]

**KEYSTONE ELECTRONICS CORP.**

ASTORIA, N.Y. 11105-2017

PART NAME HEX STANDOFF, FLAME RETARDANT			
MATERIAL NYLON 6/6 UL 94V-0			
FINISH -		DRN BY BOONE	DATE 1.25.96
		APP'D	SCALE 3X
TOLERANCES	INCH [MM]	CODE	DWG NO.
DECIMAL	± .005 [± 0.15]	C/M	8442-
ANGULAR	± 1°		
UNLESS OTHERWISE SPECIFIED			

DATE	DESCRIPTION	REV.