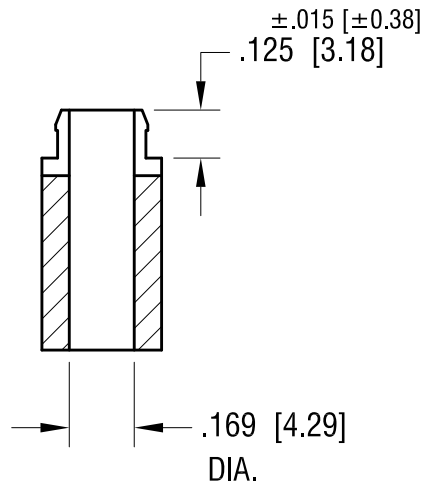
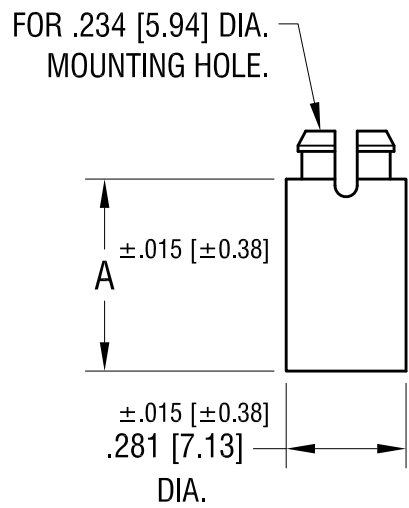
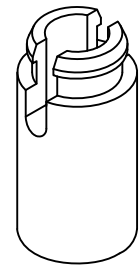


THIS DOCUMENT IS THE PROPERTY OF
KEYSTONE ELECTRONICS CORP. AND
SHALL NOT BE REPRODUCED, DISTRIBUTED
OR USED AS A BASIS FOR MANUFACTURE
WITHOUT PRIOR WRITTEN PERMISSION
FROM KEYSTONE ELECTRONICS CORP.



PART NO.	'A' DIM.
9037	.250 [6.35]
9038	.375 [9.53]
9039	.500 [12.70]
9040	.625 [15.88]

DATE	DESCRIPTION	REV.
11.05.09	CHANGE AS PER ECN 09-161	B
5.04.09	CHANGE AS PER ECN 09-036	A

KEYSTONE ELECTRONICS CORP.			
www.keyelco.com • ASTORIA, N.Y. 11105-2017 • Tel (718) 956-8900			
PART NAME		THRU HOLE SPACER	
MATERIAL		NYLON UL 94V-0	
FINISH	-	DRN BY	BOONE
		DATE	8.29.06
		APP'D	SCALE
			2X
TOLERANCES	INCH [MM]	CODE	DWG NO.
DECIMAL	$\pm .005$ [± 0.15]	C/M	9037-9040
ANGULAR	$\pm 1^\circ$		
UNLESS OTHERWISE SPECIFIED			