

Eclipse Command System - NEMA 12

Command Enclosure

Operator Interface Enclosure



Note: Shown with optional red handle

Panel
Sold
Separately



Suspension System

Application

- Designed to enclose electronic controls, instruments and components in indoor environments where dirt, dust, oil and water may be present.
- Ideal for use with suspension systems.
- Multiple mounting provisions and full front mounting space provide for ideal operator interface.
- Smooth flush surfaces and attractive finishes compliment high tech equipment.

Standards

- UL 508 type 12
- CSA type 12
- **Complies with**
 - NEMA Type 12 and 13
 - IEC 60529 IP54

Construction

- Formed from 16 gauge steel.
- Smooth, continuously welded seams ground smooth.
- Door stiffeners are designed to also permit additional mounting options.
- Formed lip on enclosure to exclude flowing liquids and contaminants.
- Reversible rear door is secured with slotted quarter turn fasteners.
- Door frames have zinc die-cast corners with extrusion pressed aluminum profiles.
- Door front panels are 3mm aluminum.
- Oil resistant gaskets are permanently secured.
- Bonding stud provided on door and grounding stud installed in enclosure.
- Quarter turn latches formed from mild steel.
- Formed steel hinge with stainless steel hinge pins.
- Fastening is recommended with optional Tara Plus or 50/80 suspension systems
...see page **286-297**
- Optional red handle easily mounts horizontally to bottom of enclosure front frame. Order separately
...see page **285**
- Heavy duty re-inforcing plate included.

Finish

- Finished in RAL 7040 gray powder coating.
- Door panel is natural aluminum.

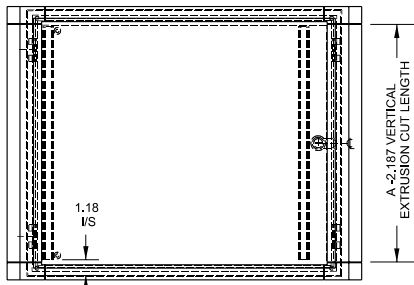
Accessories

- Tara Plus suspension system...see page **286-291**
- 50 mm heavy duty suspension system...see page **286-297**
- 80 mm heavy duty suspension system...see page **286-297**
- Inner panels...see page **285**

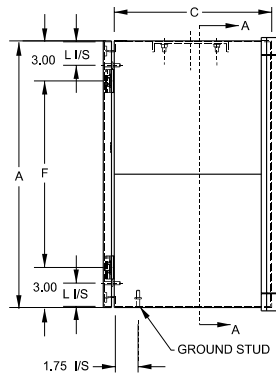
Eclipse Command System - NEMA 12

Command Enclosure

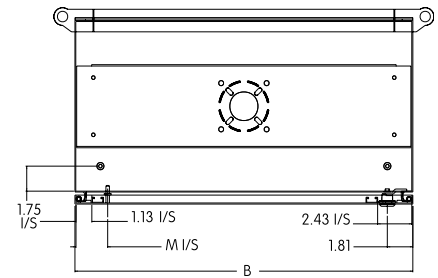
Operator Interface Enclosure



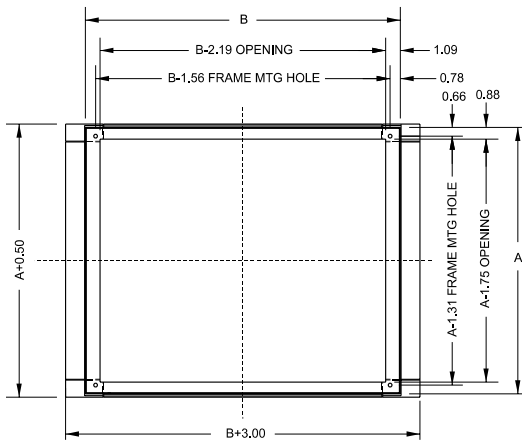
Front View



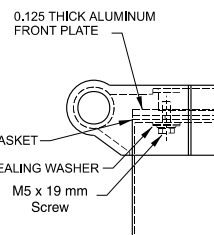
Side View - Hinge Side



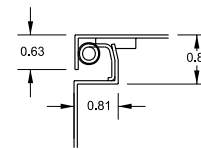
End View Section



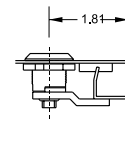
Section A-A



Corner Detail
Typ. 4 Places



Cross Section of 16 Gauge Body and Door

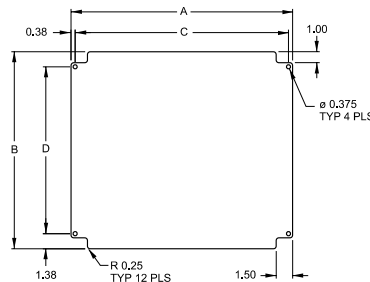


Lock Section

Part No.	Overall Dimensions						Optional Handle Part No.	Optional Panel Part No.	Ship Wt. lbs.
	A	B	C	F	L	M			
ECP12126	12	12	6	6.0	1.50	2.25	ECPH12	ECPP1212	17
ECP12168	12	16	8	6.0	1.50	2.25	ECPH16	ECPP1216	21
ECP161610	16	16	10	10.0	1.50	2.25	ECPH16	ECPP1616	29
ECP162010	16	20	10	10.0	1.50	2.25	ECPH20	ECPP1620	32
ECP20246	20	24	6	14.0	1.50	2.25	ECPH24	ECPP2024	34
ECP202412	20	24	12	14.0	1.50	2.25	ECPH24	ECPP2024	43

Optional Inner Panel

- Panel mounts on the rear door of command enclosures.
- Unfinished aluminum is 0.08" thick.



Part No.	A	B	C	D
ECPP1212	8.25	10.00	7.50	7.25
ECPP1216	12.25	10.00	11.50	7.25
ECPP1616	12.25	14.00	11.50	11.25
ECPP1620	16.25	14.00	15.50	11.25
ECPP2024	20.25	18.00	19.50	15.25

Optional Handle

- Easily mounts horizontally to bottom of enclosure front frame.
- Finished in red.



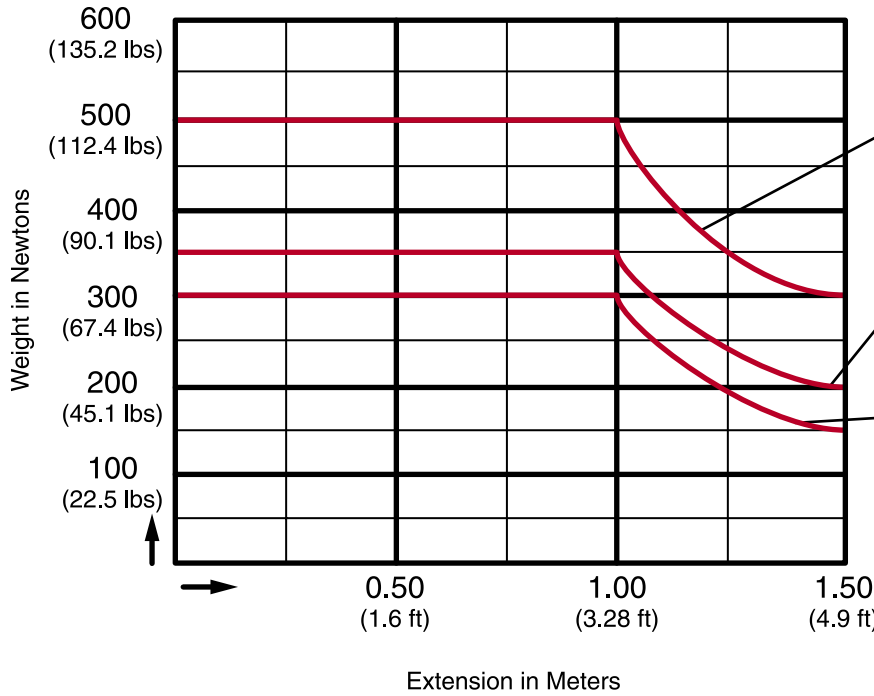
Part No.	Fits Enclosure
ECPH12	ECP12126
ECPH16	ECP12168, ECP161610
ECPH20	ECP1620
ECPH24	ECP202412, ECP20246

Suspension System

Suspension Systems - NEMA 12, 13

Tara Plus Suspension System

Operator Interface Enclosure



Measurement Conversions

1 kg = 9.81 N 1 lb = 4.44 N
 e.g. 500 Newtons = 51 kg = 112.4 lbs
 300 Newtons = 30.6 kg = 67.4 lbs
 100 Newtons = 10.2 kg = 22.5 lbs
1 foot = 0.305 m

Suspension System

Application

- Taraplus enclosure suspension systems are designed for light and medium loads.
- The strength of tube and cast fittings provide a highly flexible robust system.

Standards

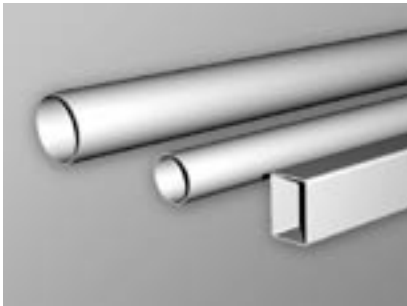
- **Complies with**
 - IEC 60529 IP54

Construction

- Enclosure coupling and elbow coupling fittings are die-cast from G AL SI 12 aluminum.
- Suspension tubing is steel.

Finish

- Fittings are finished in RAL 7040 window gray.
- Suspension tubing is RAL 7035 light gray.



Suspension Tube

Part No.	Outside mm	Inside mm	Tolerance	Length		Ship Wt. lbs
				Metres	Feet	
Round Tubes						
R144-301-000	48	40	±0.25	1	3.28	10
R144-321-000	70	62	±0.25	1	3.28	25
R144-321-500	70	62	±0.25	1.5	4.92	38
Rectangular Tubes						
R144-311-000	60 x 40	54 x 34	±0.50	1	3.28	13
R144-311-500	60 x 40	54 x 34	±0.50	1.5	4.92	26

Technical references and DXF downloads available at www.hammf.com

All dimensions in inches unless specified otherwise

Suspension Systems - NEMA 12, 13

Tara Plus Suspension System

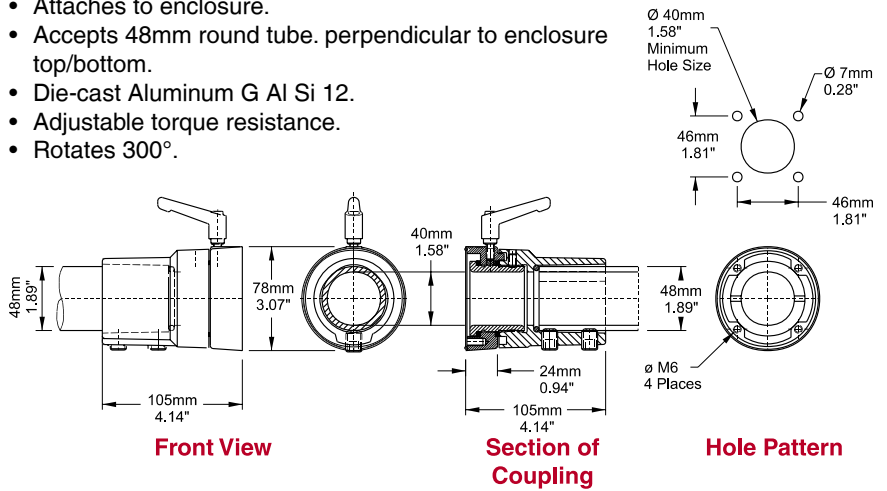
Operator Interface Enclosure



Part No. **R149-025-000**

Coupling

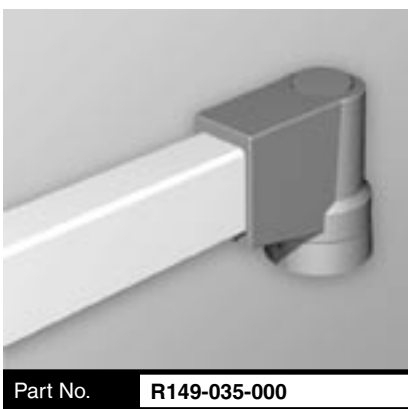
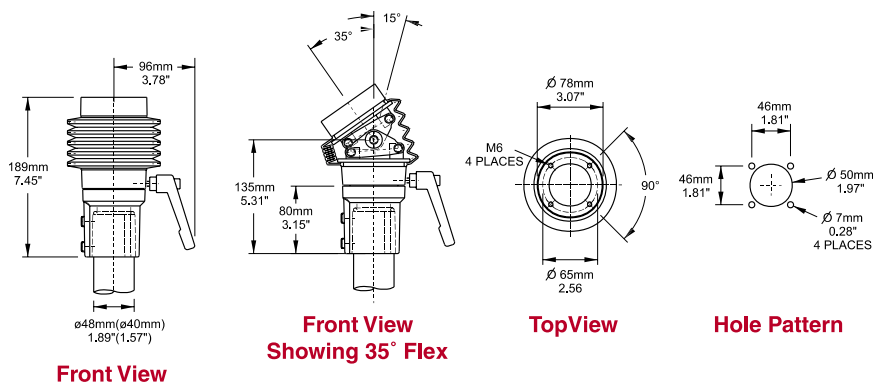
- Attaches to enclosure.
- Accepts 48mm round tube perpendicular to enclosure top/bottom.
- Die-cast Aluminum G Al Si 12.
- Adjustable torque resistance.
- Rotates 300°.



Part No. **R149-025-001**

Tilt Coupling

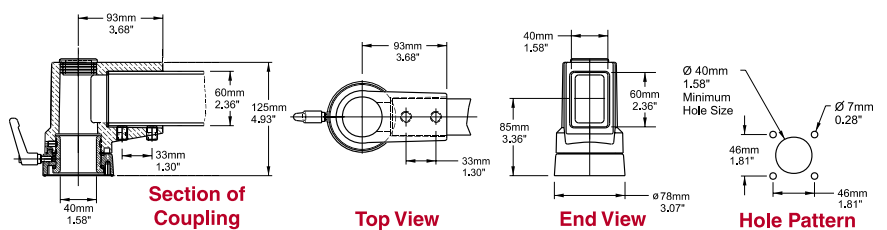
- Attaches to enclosure.
- Accepts 48mm round tube perpendicular to enclosure top/bottom.
- Die-cast Aluminum G Al Si 12.
- Rotates 300°.
- Features an adjustable tilt mechanism up to 35°.



Part No. **R149-035-000**

Elbow Coupling

- Attaches to enclosure.
- Accepts 60x40mm rectangular tube parallel to enclosure top/bottom.
- Die-cast Aluminum G Al Si 12.
- Adjustable torque resistance.
- Rotates 300°.
- Accessible from the top.



Suspension System

Suspension Systems - NEMA 12, 13

Tara Plus Suspension System

Operator Interface Enclosure

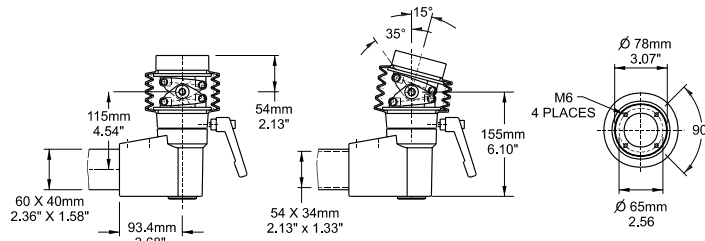
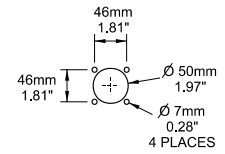


Part No. **R149-035-001**

Tilt Elbow Coupling

- Attaches to enclosure.
- Accepts 60x40mm rectangular tube parallel to enclosure top/bottom.
- Die-cast Aluminum G Al Si 12.
- Rotates 300°.
- Features an adjustable tilt mechanism up to 35°.

Hole Pattern



Front View

Front View
Showing 15° Flex

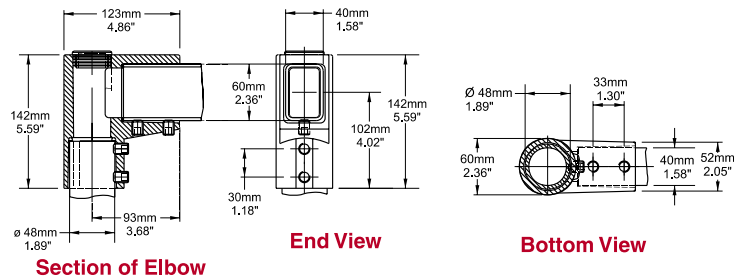
TopView



Part No. **R149-020-000**

Fixed Elbow 48

- For use with 48mm round tube and 60x40mm rectangular tube.
- Vertical 48mm tube connection for use with Couplings only (not Base 48).
- Die-cast Aluminum G Al Si 12.
- Large cover opening for easier cable pull through.
- No rotation.
- Accessible from the top.



Section of Elbow

End View

Bottom View

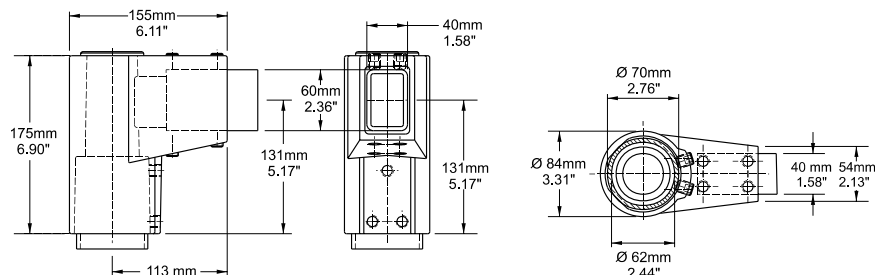
Suspension System



Part No. **R149-020-001**

Fixed Elbow 70

- For use with 70mm round tube and 60x40mm rectangular tube.
- Die-cast Aluminum G Al Si 12.
- No rotation.
- Accessible from the top.



Front View of Elbow

End View

Bottom View

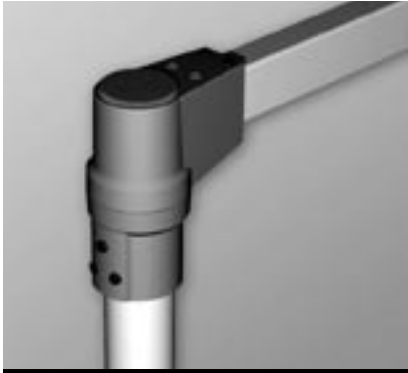
Technical references and DXF downloads available at www.hammf.com

All dimensions in inches unless specified otherwise

Suspension Systems - NEMA 12, 13

Tara Plus Suspension System

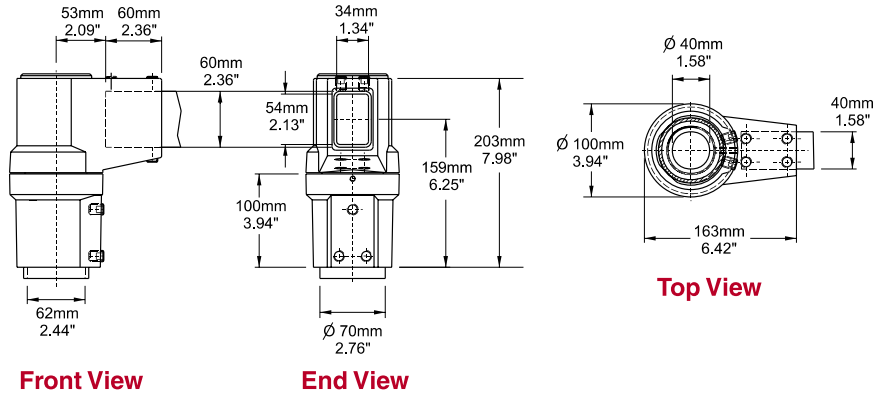
Operator Interface Enclosure



Part No. **R149-040-000**

Rotating Elbow

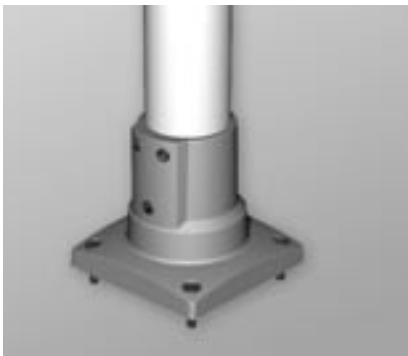
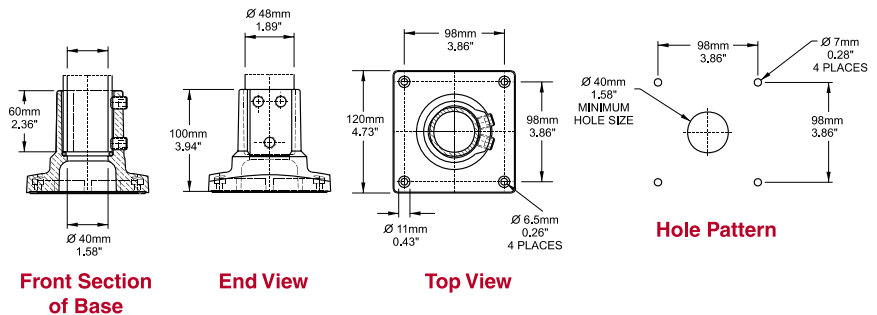
- For use with 70mm round tube and 60x40mm rectangular tube.
- Die-cast Aluminum G Al Si 12.
- Rotates 300°.
- Accessible from the top.



Part No. **R149-030-000**

Base 48

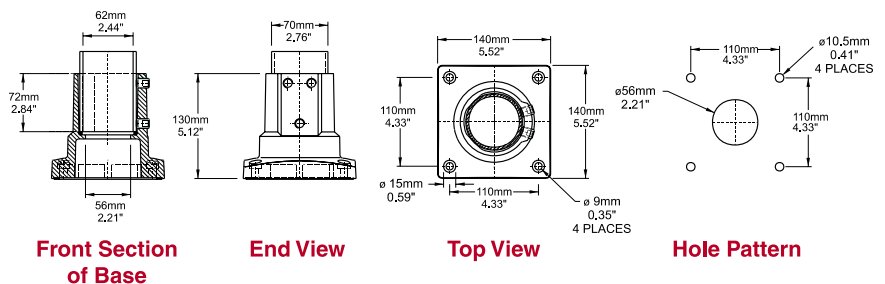
- For use with 48mm round tube.
- Not for use with any horizontal configurations.
- Compatible with tube up or tube down configurations.
- Die-cast Aluminum G Al Si 12.
- No rotation.



Part No. **R149-030-001**

Base 70

- For use with 70 mm tube.
- Compatible with all vertical and horizontal configurations.
- Compatible with tube up or tube down configurations.
- Die-cast Aluminum G Al Si 12.
- No rotation.



Suspension System

Suspension Systems - NEMA 12, 13

Tara Plus Suspension System

Operator Interface Enclosure

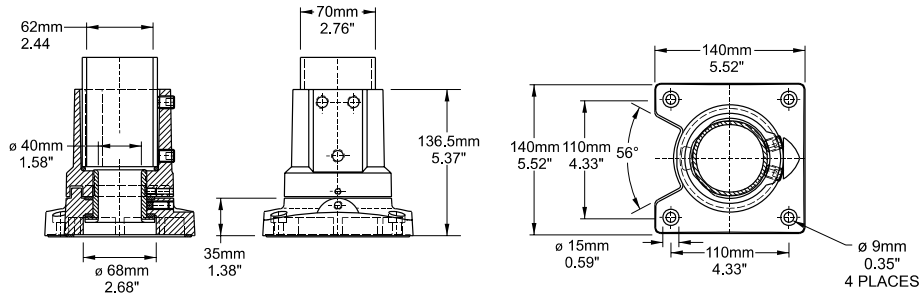
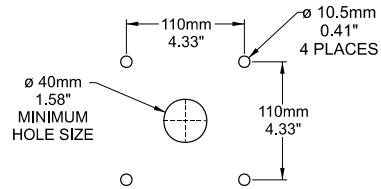


Part No. **R149-005-001**

Rotating Base 70

- For use with 70 mm tube.
- Compatible with all vertical and horizontal configurations.
- Compatible with tube up or tube down configurations.
- Die-cast Aluminum G Al Si 12.
- Rotates 300°.
- Integrated movement stop.
- Service free bearings.

Hole Pattern

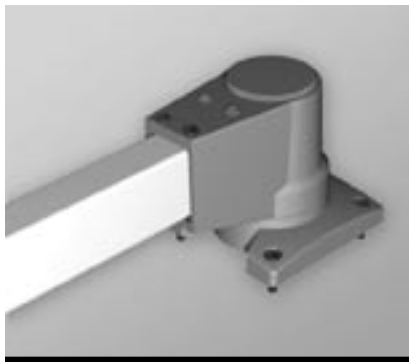


Front Section

End View

TopView

Suspension System

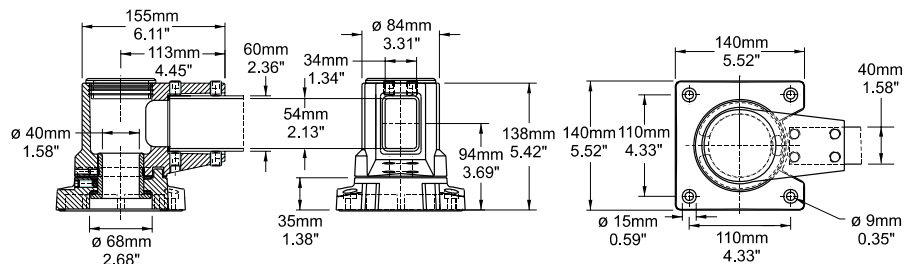
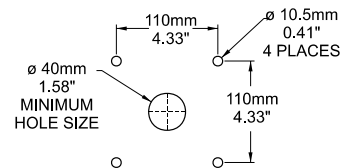


Part No. **R149-005-000**

Socket Joint

- Accepts 60x40mm rectangular tube parallel to its mounting surface.
- Die-cast Aluminum G Al Si 12.
- Integrated movement stop.
- Service free bearings.
- Rotates 300°.
- Adjustment screws (red screws).
- Accessible from the top.

Hole Pattern



Front Section Socket Joint

End View

TopView

Technical references and DXF downloads available at www.hammsg.com

All dimensions in inches unless specified otherwise

Suspension Systems - NEMA 12, 13

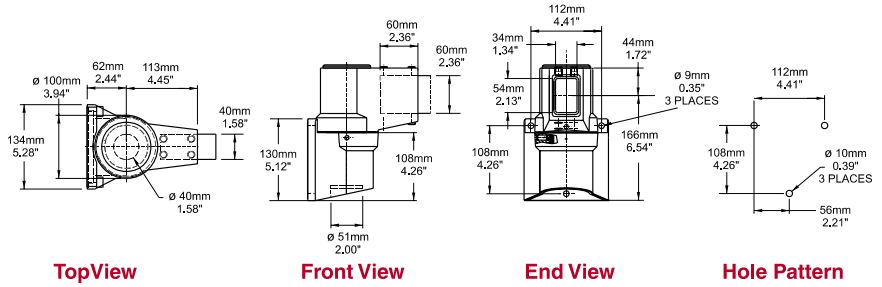
Tara Plus Suspension System



Part No. **R149-010-000**

Wall Joint

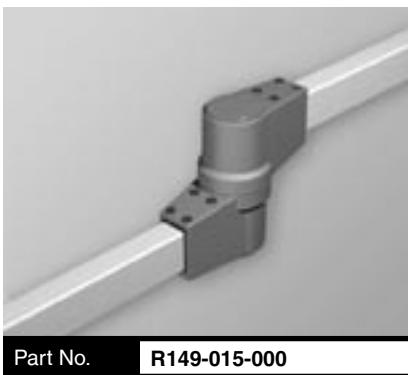
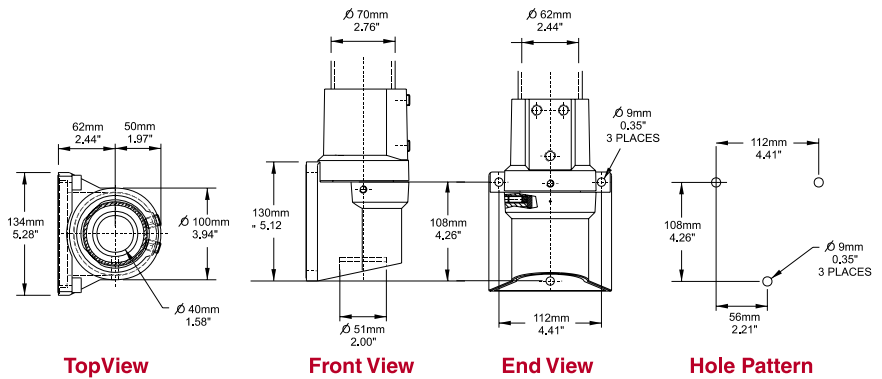
- Accepts 60x40mm rectangular tube perpendicular to its mounting surface.
- Die-cast Aluminum G Al Si 12.
- Rotates 186°.
- Accessible from the top.



Part No. **R149-010-001**

Vertical Wall Joint

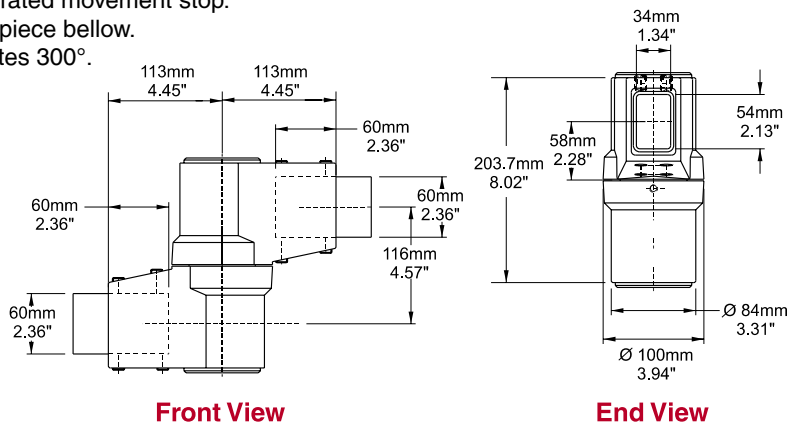
- Accepts 70mm tube parallel to its mounting surface.
- Die-cast Aluminum G Al Si 12.
- Rotates 316°.



Part No. **R149-015-000**

Intermediate Joint

- Accepts 60x40mm rectangular tube.
- Die-cast Aluminum G Al Si 12.
- Integrated movement stop.
- One piece bellow.
- Rotates 300°.



Technical references and DXF downloads available at www.hammfg.com

All dimensions in inches unless specified otherwise