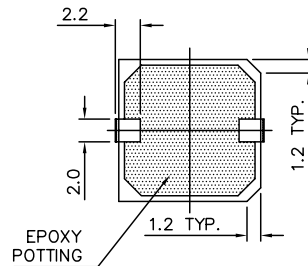
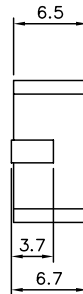
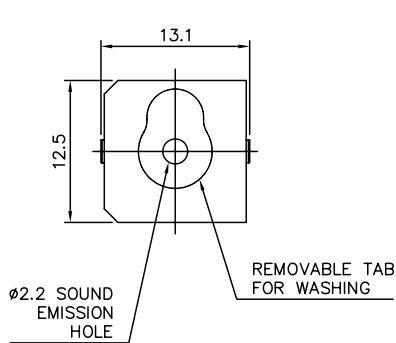
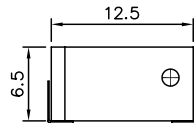


THIS DOCUMENT CONTAINS DATA PROPRIETARY TO PROJECTS UNLIMITED, INC. ANY USE OR REPRODUCTION, IN ANY FORM, WITHOUT PRIOR WRITTEN PERMISSION OF PROJECTS UNLIMITED, INC. IS PROHIBITED.
© 2003, Projects Unlimited Inc.

SPECIFICATIONS

PARAMETERS	VALUES	UNITS
RATED VOLTAGE	5	Vdc
OPERATING VOLTAGE RANGE	4 ~ 7	Vdc
RATED CURRENT (MAX)	30	mA
MINIMUM SPL @ 10 cm	85	dBA
RESONANT FREQUENCY	2,400±300	Hz
TONE OR PULSE RATE	CONTINUOUS	0 PULSE PER SECOND
OPERATING TEMPERATURE	-20 ~ +70	°C
STORAGE TEMPERATURE	-30 ~ +80	°C
HOUSING MATERIAL	PA46	-
TERMINAL MATERIAL	PbSn PLATED BRASS	-
WEIGHT	5	grams



NOTES:

1. ALL DIMENSIONS ARE IN MILLIMETERS.
2. SPECIFICATION SUBJECT TO CHANGE OR WITHDRAWAL WITHOUT NOTICE.

FILE NAME
SMI-158.DWG

REVISIONS

LTR	DESCRIPTION	DATE	APPROVED
-	RELEASED FROM ENGINEERING	6/24/99	
A	ADDED ELECTRICAL SPECIFICATION	1/15/02	S. J.
B	REVISED TO NEW TEMPLATE	9/9/03	R. W.
C	REVISED SPECIFICATIONS	4/23/04	R. W.

UNLESS OTHERWISE SPECIFIED:
DIMENSIONS ARE IN MILLIMETERS. TOLERANCES ARE ±0.5 AND ANGLES ARE ±3°.

APPROVALS	DATE
DRAWN TMM	6/99
APPROVED S. J.	6/99

DO NOT SCALE DRAWING

projects® unlimited Dayton, Ohio

SURFACE MOUNT INDICATOR
SMI-158

SIZE
A

DRAWING NO.
SMI-158

SCALE: N.T.S.

SHEET 1 OF 1