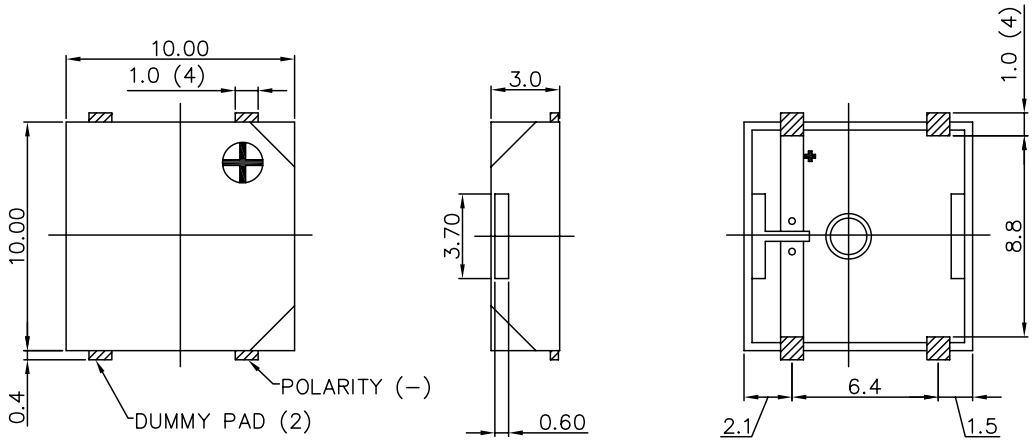


THIS DOCUMENT CONTAINS DATA PROPRIETARY TO PROJECTS UNLIMITED, INC. ANY USE OR REPRODUCTION, IN ANY FORM, WITHOUT PRIOR WRITTEN PERMISSION OF PROJECTS UNLIMITED, INC. IS PROHIBITED.
© 2003, Projects Unlimited Inc.

SPECIFICATIONS

PARAMETERS	VALUES	UNITS
RATED VOLTAGE (SQUARE WAVE)	3.6	Vp-p
OPERATING VOLTAGE RANGE	2.5 ~ 4.5	Vp-p
RATED CURRENT (MAX)	80	mA
COIL RESISTANCE	20±3	OHM
MINIMUM SPL @ 10 CM	85	dBA
RESONANT FREQUENCY	2,700±200	Hz
OPERATING TEMPERATURE	-20 ~ +60	°C
STORAGE TEMPERATURE	-30 ~ +70	°C
HOUSING MATERIAL	PA46	-
TERMINAL MATERIAL	Au PLATING	-
WEIGHT	0.8	grams

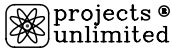
REVISIONS			
LTR	DESCRIPTION	DATE	APPROVED
-	RELEASED FROM ENGINEERING	1/9/03	
A	REVISED TO NEW TEMPLATE	6/3/04	R. W.



NOTES:

1. ALL DIMENSIONS ARE IN MILLIMETERS.
2. SPECIFICATION SUBJECT TO CHANGE OR WITHDRAWAL WITHOUT NOTICE.

FILE NAME
SMT-733-2.DWG

UNLESS OTHERWISE SPECIFIED: DIMENSIONS ARE IN MILLIMETERS; TOLERANCES ARE ±0.5 AND ANGLES ARE ±3°.		 projects® unlimited Dayton, Ohio							
<table border="1"> <thead> <tr> <th>APPROVALS</th> <th>DATE</th> </tr> </thead> <tbody> <tr> <td>DRAWN <i>B. W.</i></td> <td>1/03</td> </tr> <tr> <td>APPROVED <i>S. J.</i></td> <td>1/03</td> </tr> </tbody> </table>		APPROVALS	DATE	DRAWN <i>B. W.</i>	1/03	APPROVED <i>S. J.</i>	1/03	SURFACE MOUNT TRANSDUCER SMT-733-2	
APPROVALS	DATE								
DRAWN <i>B. W.</i>	1/03								
APPROVED <i>S. J.</i>	1/03								
DO NOT SCALE DRAWING		SIZE A	DRAWING NO. SMT-733-2						
		SCALE: N.T.S.	SHEET 1 OF 1						