

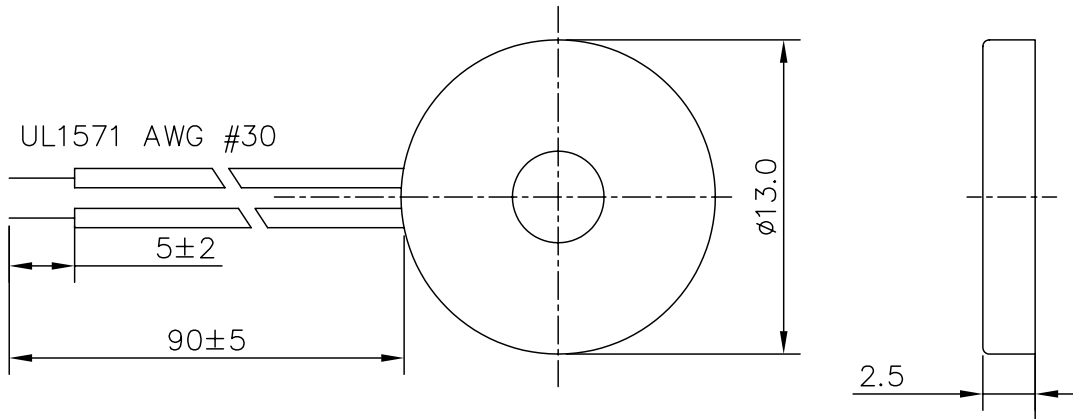
THIS DOCUMENT CONTAINS DATA PROPRIETARY TO PROJECTS UNLIMITED, INC. ANY USE OR REPRODUCTION, IN ANY FORM, WITHOUT PRIOR WRITTEN PERMISSION OF PROJECTS UNLIMITED, INC. IS PROHIBITED.  
© 2003, Projects Unlimited Inc.

SPECIFICATIONS

PARAMETERS	VALUES	UNITS
RATED VOLTAGE (SQUARE WAVE)	10	Vp-p
OPERATING VOLTAGE RANGE	1 ~ 30	Vp-p
RATED CURRENT (MAX)	5	mA
CAPACITANCE	15,000±30%	pF
MINIMUM SPL @ 10 CM	80	dBA
RESONANT FREQUENCY	4,800±500	Hz
OPERATING TEMPERATURE	-20 ~ +70	°C
STORAGE TEMPERATURE	-30 ~ +75	°C
HOUSING MATERIAL	ABS	-
TERMINAL MATERIAL	LEAD WIRE	-
WEIGHT	1	grams

REVISIONS


LTR	DESCRIPTION	DATE	APPROVED
-	RELEASED FROM ENGINEERING	6/3/03	
A	REVISED TO NEW TEMPLATE	6/16/04	R. W.



NOTES:

1. ALL DIMENSIONS ARE IN MILLIMETERS.
2. SPECIFICATION SUBJECT TO CHANGE OR WITHDRAWAL WITHOUT NOTICE.

FILE NAME  
AT-130.DWG

UNLESS OTHERWISE SPECIFIED: DIMENSIONS ARE IN MILLIMETERS; TOLERANCES ARE ±0.5 AND ANGLES ARE ±3°.		 <b>projects® unlimited</b> Dayton, Ohio							
<table border="1"> <thead> <tr> <th>APPROVALS</th> <th>DATE</th> </tr> </thead> <tbody> <tr> <td>DRAWN <i>B.C.I.</i></td> <td>6/03</td> </tr> <tr> <td>APPROVED <i>S.J.</i></td> <td>6/03</td> </tr> </tbody> </table>		APPROVALS	DATE	DRAWN <i>B.C.I.</i>	6/03	APPROVED <i>S.J.</i>	6/03	TRANSDUCER(PIEZO) AT-130	
APPROVALS	DATE								
DRAWN <i>B.C.I.</i>	6/03								
APPROVED <i>S.J.</i>	6/03								
SIZE A	DRAWING NO. AT-130								
DO NOT SCALE DRAWING		SCALE: N.T.S.	SHEET 1 OF 1						