

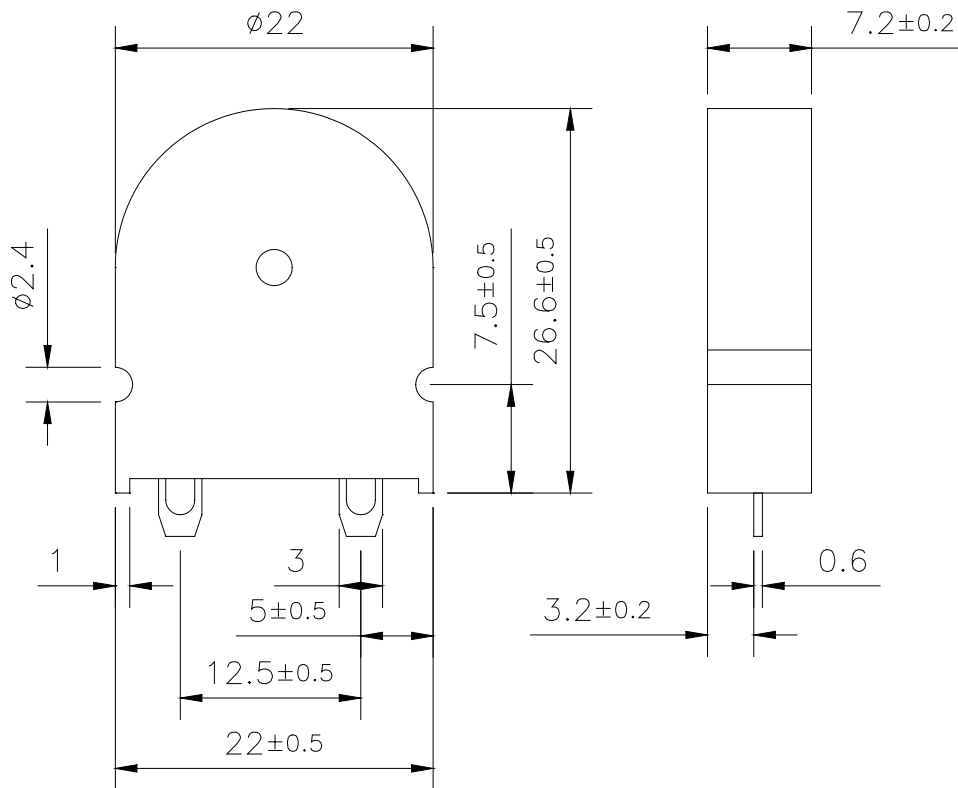
OBSOLETE- USE PT-2020PQ

Specificati

Resonant Frequency (Hz)	2000 ± 500
Operating Voltage Max (Vp-p)	30
Rated Voltage (Vp-p)	5.0
Current Consumption Max. (mA)	1.5 at Rated Voltage
Sound Pressure Level Min. (dB)	80 at 10cm at Rated Voltage
Capacitance (pF)	25,000 ±30% @ 120Hz
Operating Temperature (°C)	-20 ~ +90
Storage Temperature (°C)	-30 ~ +100
Housing	ABS777D UL94HB plastic resin (Color: Black)
Leading Pin	Tin Plated Brass
Weight (Grams)	2.4
Options	For other options contact factory

PS: Vp-p = 1/2duty, square wave

Dimensions: (units: mm)



Unit:mm