

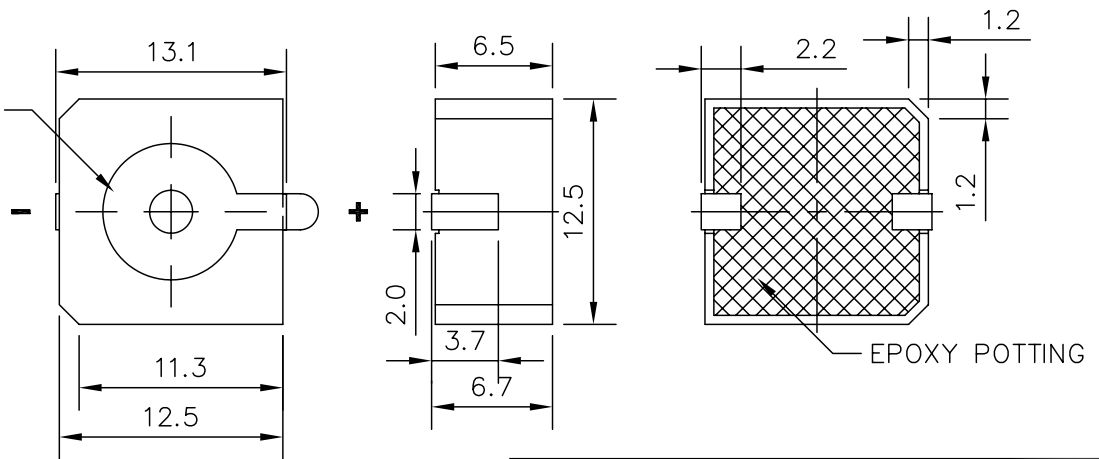
THIS DOCUMENT CONTAINS DATA PROPRIETARY TO PROJECTS UNLIMITED, INC. ANY USE OR REPRODUCTION, IN ANY FORM, WITHOUT PRIOR WRITTEN PERMISSION OF PROJECTS UNLIMITED, INC. IS PROHIBITED.
© 2003, Projects Unlimited Inc.

SPECIFICATIONS

PARAMETERS	VALUES	UNITS
RATED VOLTAGE	12	Vdc
OPERATING VOLTAGE RANGE	8 ~ 15	Vdc
RATED CURRENT (MAX)	30	mA
MINIMUM SPL @ 10 cm	85	dBA
RESONANT FREQUENCY	2,400±300	Hz
TONE OR PULSE RATE	CONTINUOUS	0 PULSE PER SECOND
OPERATING TEMPERATURE	-20 ~ +70	°C
STORAGE TEMPERATURE	-30 ~ +80	°C
HOUSING MATERIAL	PA46	-
TERMINAL MATERIAL	PbSn-PLATED BRASS	-
WEIGHT	5	grams

REVISIONS			
LTR	DESCRIPTION	DATE	APPROVED
-	RELEASED FROM ENGINEERING	10/8/03	
A	REVISED TO NEW TEMPLATE	4/23/04	R. W.

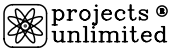
REMOVABLE TAB FOR REFLOW SOLDER AND WASHING



NOTES:

1. ALL DIMENSIONS ARE IN MILLIMETERS.
2. SPECIFICATION SUBJECT TO CHANGE OR WITHDRAWAL WITHOUT NOTICE.

FILE NAME
SMI-168.DWG

UNLESS OTHERWISE SPECIFIED: DIMENSIONS ARE IN MILLIMETERS, TOLERANCES ARE ±0.5 AND ANGLES ARE ±3°.		 projects® unlimited Dayton, Ohio							
<table border="1"> <thead> <tr> <th>APPROVALS</th> <th>DATE</th> </tr> </thead> <tbody> <tr> <td>DRAWN R. A. O.</td> <td>10/03</td> </tr> <tr> <td>APPROVED R. W.</td> <td>10/03</td> </tr> </tbody> </table>		APPROVALS	DATE	DRAWN R. A. O.	10/03	APPROVED R. W.	10/03	SURFACE MOUNT INDICATOR SMI-168	
APPROVALS	DATE								
DRAWN R. A. O.	10/03								
APPROVED R. W.	10/03								
DO NOT SCALE DRAWING		SIZE A	DRAWING NO. SMI-168						
		SCALE: N.T.S.	SHEET 1 OF 1						