

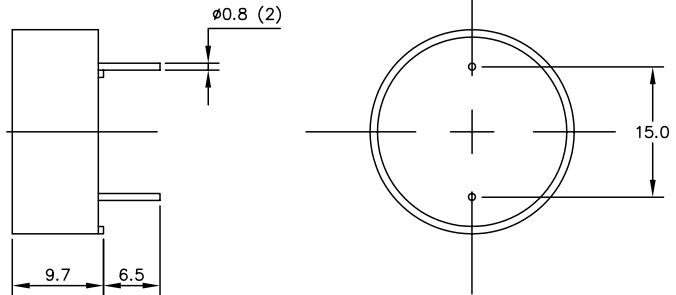
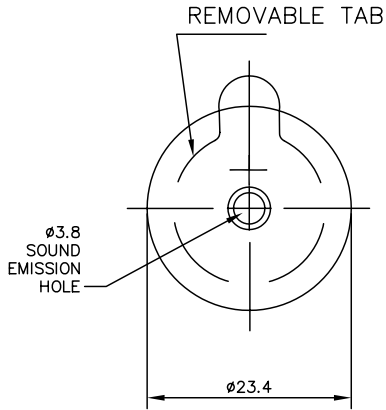
THIS DOCUMENT CONTAINS DATA PROPRIETARY TO PROJECTS UNLIMITED, INC. ANY USE OR REPRODUCTION, IN ANY FORM, WITHOUT PRIOR WRITTEN PERMISSION OF PROJECTS UNLIMITED, INC. IS PROHIBITED.  
© 2003, Projects Unlimited Inc.

SPECIFICATIONS

| PARAMETERS              | VALUES             | UNITS              |
|-------------------------|--------------------|--------------------|
| RATED VOLTAGE           | 12                 | Vdc                |
| OPERATING VOLTAGE RANGE | 3 ~ 20             | Vdc                |
| RATED CURRENT (MAX)     | 15                 | mA                 |
| MINIMUM SPL @ 10 cm.    | 85                 | dBA                |
| RESONANT FREQUENCY      | 3,100±500          | Hz                 |
| TONE OR PULSE RATE      | CONTINUOUS         | 0 PULSE PER SECOND |
| OPERATING TEMPERATURE   | -20 ~ +60          | °C                 |
| STORAGE TEMPERATURE     | -20 ~ +70          | °C                 |
| HOUSING MATERIAL        | NORYL              | -                  |
| TERMINAL MATERIAL       | PbSn-PLATED COPPER | -                  |
| WEIGHT                  | 3                  | grams              |

REVISIONS


| LTR | DESCRIPTION               | DATE    | APPROVED |
|-----|---------------------------|---------|----------|
| -   | RELEASED FROM ENGINEERING | 3/1/02  |          |
| A   | REVISED TO NEW TEMPLATE   | 5/6/04  | R. W.    |
| B   | ADDED S.E. HOLE DIMENSION | 8/18/05 | B. R.    |



NOTES:

1. ALL DIMENSIONS ARE IN MILLIMETERS.
2. SPECIFICATION SUBJECT TO CHANGE OR WITHDRAWAL WITHOUT NOTICE.

FILE NAME  
AI-256.DWG

|   |  |  |                       |
|---|--|--|-----------------------|
| UNLESS OTHERWISE SPECIFIED:<br>DIMENSIONS ARE IN MILLIMETERS, TOLERANCES ARE ±0.5 AND ANGLES ARE ±3°. |  |  <b>projects® unlimited</b><br>Dayton, Ohio |                       |
| APPROVALS<br>DRAWN <i>RABL</i> 3/02<br>APPROVED <i>S.J.</i> 5/02                                      |  | AUDIO INDICATOR<br>AI-256  |                       |
| DO NOT SCALE DRAWING  |  | SIZE<br>A  | DRAWING NO.<br>AI-256 |
|   |  | SCALE: N.T.S.  | SHEET 1 OF 1          |