

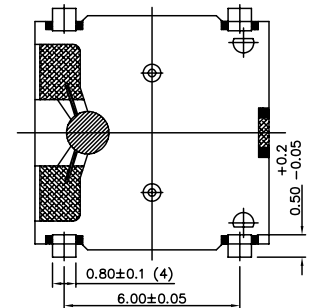
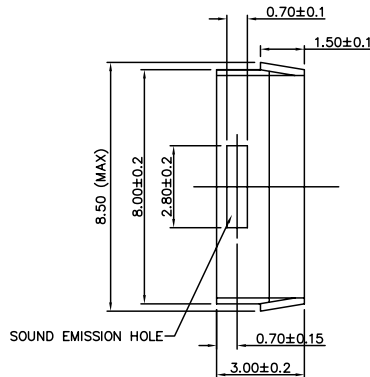
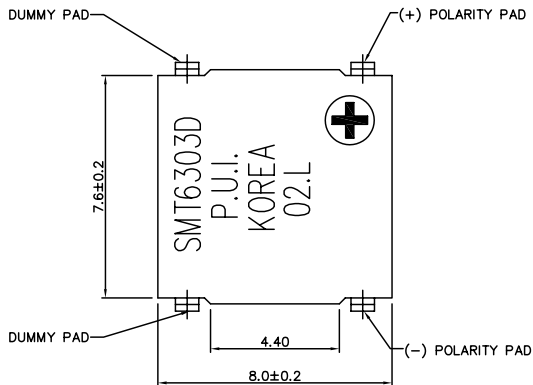
THIS DOCUMENT CONTAINS DATA PROPRIETARY TO PROJECTS UNLIMITED, INC. ANY USE OR REPRODUCTION, IN ANY FORM, WITHOUT PRIOR WRITTEN PERMISSION OF PROJECTS UNLIMITED, INC. IS PROHIBITED.
© 2003, Projects Unlimited Inc.

SPECIFICATIONS

PARAMETERS	VALUES	UNITS
RATED VOLTAGE (SQUARE WAVE)	3.6	Vp-p
OPERATING VOLTAGE RANGE	2.5 ~ 4.5	Vp-p
RATED CURRENT (MAX)	90	mA
COIL RESISTANCE	15±3	OHM
MINIMUM SPL @ 10 CM	90	dba
RESONANT FREQUENCY	2,630	Hz
OPERATING TEMPERATURE	-30 ~ +70	°C
STORAGE TEMPERATURE	-40 ~ +85	°C
HOUSING MATERIAL	LCP 6130	-
TERMINAL MATERIAL	PBS	-
WEIGHT	0.39	grams

REVISIONS

LTR	DESCRIPTION	DATE	APPROVED
-	RELEASED FROM ENGINEERING	4/7/99	
A	REDREW DRAWING	1/2/03	S.J.
B	REVISED TO NEW TEMPLATE	6/3/04	R.W.



NOTES:

1. ALL DIMENSIONS ARE IN MILLIMETERS.
2. SPECIFICATION SUBJECT TO CHANGE OR WITHDRAWAL WITHOUT NOTICE.

FILE NAME
SMT-6303D.DWG

UNLESS OTHERWISE SPECIFIED:
DIMENSIONS ARE IN
MILLIMETERS; TOLERANCES ARE ±0.5 AND
ANGLES ARE ±3°.

APPROVALS	DATE
DRAWN TMM	4/99
APPROVED S.J.	4/99
DO NOT SCALE DRAWING	



projects®
unlimited

Dayton, Ohio

SURFACE MOUNT TRANSDUCER
SMT-6303D

SIZE
A

DRAWING NO.
SMT-6303D

SCALE: N.T.S.

SHEET 1 OF 1