

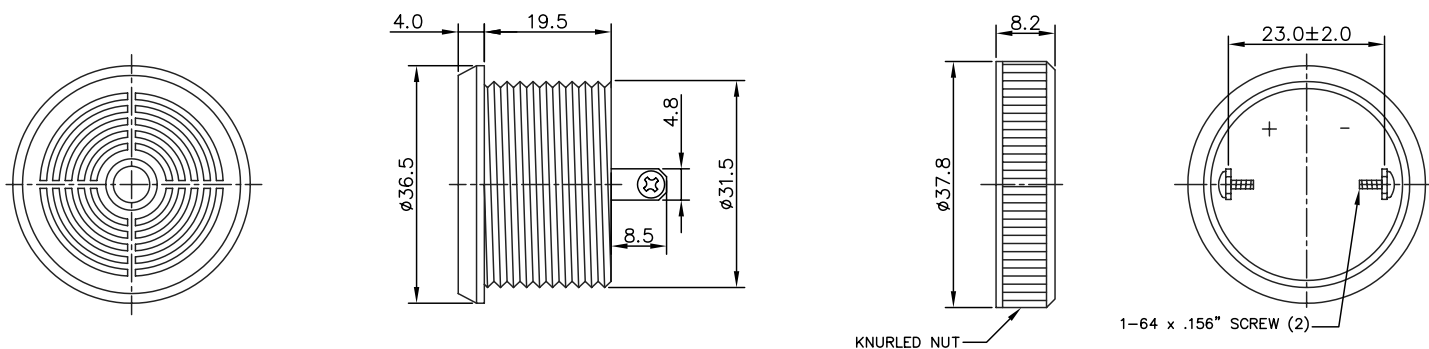
THIS DOCUMENT CONTAINS DATA PROPRIETARY TO PROJECTS UNLIMITED, INC. ANY USE OR REPRODUCTION, IN ANY FORM, WITHOUT PRIOR WRITTEN PERMISSION OF PROJECTS UNLIMITED, INC. IS PROHIBITED.
© 2003, Projects Unlimited Inc.

SPECIFICATIONS

PARAMETERS	VALUES	UNITS
RATED VOLTAGE	12	Vdc
OPERATING VOLTAGE RANGE	4 ~ 28	Vdc
RATED CURRENT (MAX)	8	mA
MINIMUM SPL @ 10 cm.	90	dBA
RESONANT FREQUENCY	3,600±500	Hz
TONE OR PULSE RATE	CONTINUOUS	0 PULSE PER SECOND
OPERATING TEMPERATURE	-30 ~ +80	°C
STORAGE TEMPERATURE	-40 ~ +80	°C
HOUSING MATERIAL	ABS	-
TERMINAL MATERIAL	TIN-PLATED BRASS	-
WEIGHT	18.5	grams

REVISIONS

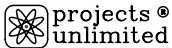
LTR	DESCRIPTION	DATE	APPROVED
-	RELEASED FROM ENGINEERING	6/24/99	
A	ADDED ELECTRICAL SPECIFICATION	6/12/02	S.J.
B	REVISED TEMPLATE	5/7/04	R.W.



NOTES:

1. ALL DIMENSIONS ARE IN MILLIMETERS.
2. SPECIFICATION SUBJECT TO CHANGE OR WITHDRAWAL WITHOUT NOTICE.

FILE NAME
AI-750S.DWG

UNLESS OTHERWISE SPECIFIED: DIMENSIONS ARE IN MILLIMETERS. TOLERANCES ARE ±0.5 AND ANGLES ARE ±3°.		 projects® unlimited Dayton, Ohio							
<table border="1"> <thead> <tr> <th>APPROVALS</th> <th>DATE</th> </tr> </thead> <tbody> <tr> <td>DRAWN <i>TMM</i></td> <td>6/99</td> </tr> <tr> <td>APPROVED <i>S.J.</i></td> <td>6/99</td> </tr> </tbody> </table>		APPROVALS	DATE	DRAWN <i>TMM</i>	6/99	APPROVED <i>S.J.</i>	6/99	AUDIO INDICATOR AI-750S	
APPROVALS	DATE								
DRAWN <i>TMM</i>	6/99								
APPROVED <i>S.J.</i>	6/99								
<table border="1"> <thead> <tr> <th>DO NOT SCALE DRAWING</th> <th>SIZE</th> <th>DRAWING NO.</th> </tr> </thead> <tbody> <tr> <td></td> <td>A</td> <td>AI-750S</td> </tr> </tbody> </table>		DO NOT SCALE DRAWING	SIZE	DRAWING NO.		A	AI-750S	SCALE: N.T.S. SHEET 1 OF 1	
DO NOT SCALE DRAWING	SIZE	DRAWING NO.							
	A	AI-750S							