

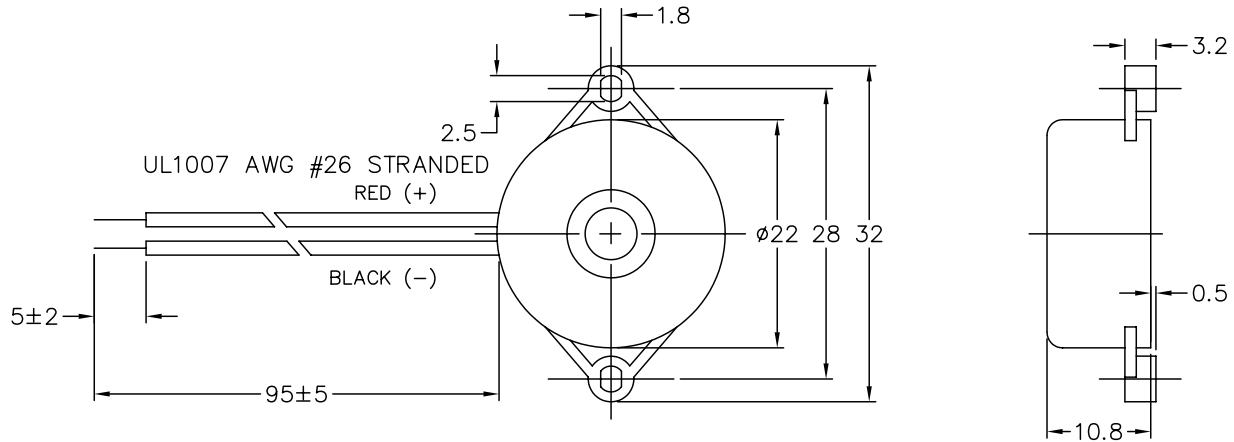
THIS DOCUMENT CONTAINS DATA PROPRIETARY TO PROJECTS UNLIMITED, INC. ANY USE OR REPRODUCTION, IN ANY FORM, WITHOUT PRIOR WRITTEN PERMISSION OF PROJECTS UNLIMITED, INC. IS PROHIBITED.
© 2003, Projects Unlimited Inc.

SPECIFICATIONS

PARAMETERS	VALUES	UNITS
RATED VOLTAGE	12	Vdc
OPERATING VOLTAGE RANGE	3 ~ 28	Vdc
RATED CURRENT (MAX)	5	mA
MINIMUM SPL @ 10 cm.	90	dB
RESONANT FREQUENCY	4,500±500	Hz
TONE OR PULSE RATE	CONTINUOUS	⁰ PULSE PER SECOND
OPERATING TEMPERATURE	-20 ~ +60	°C
STORAGE TEMPERATURE	-30 ~ +70	°C
HOUSING MATERIAL	ABS	-
TERMINAL MATERIAL	LEAD WIRE	-
WEIGHT	5	grams

REVISIONS

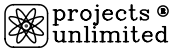
LTR	DESCRIPTION	DATE	APPROVED
-	RELEASED FROM ENGINEERING	4/30/02	
A	REVISED TO NEW TEMPLATE	5/6/04	R. W.
B	REVISED LEAD WIRE NOTES	12/12/05	E. P.



NOTES:

1. ALL DIMENSIONS ARE IN MILLIMETERS.
2. SPECIFICATION SUBJECT TO CHANGE OR WITHDRAWAL WITHOUT NOTICE.

FILE NAME
AI-251.DWG

UNLESS OTHERWISE SPECIFIED: DIMENSIONS ARE IN MILLIMETERS. TOLERANCES ARE ±0.5 AND ANGLES ARE ±3°.		 projects® unlimited Dayton, Ohio									
<table border="1"> <thead> <tr> <th>APPROVALS</th> <th>DATE</th> </tr> </thead> <tbody> <tr> <td>DRAWN <i>RABL</i></td> <td>4/02</td> </tr> <tr> <td>APPROVED <i>S.J.</i></td> <td>5/02</td> </tr> <tr> <td><i>E.P.</i></td> <td>12/05</td> </tr> </tbody> </table>		APPROVALS	DATE	DRAWN <i>RABL</i>	4/02	APPROVED <i>S.J.</i>	5/02	<i>E.P.</i>	12/05	AUDIO INDICATOR	
APPROVALS	DATE										
DRAWN <i>RABL</i>	4/02										
APPROVED <i>S.J.</i>	5/02										
<i>E.P.</i>	12/05										
SIZE A	DRAWING NO. AI-251										
DO NOT SCALE DRAWING		SCALE: N.T.S.	SHEET 1 OF 1								