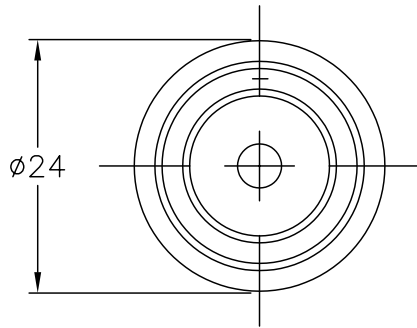


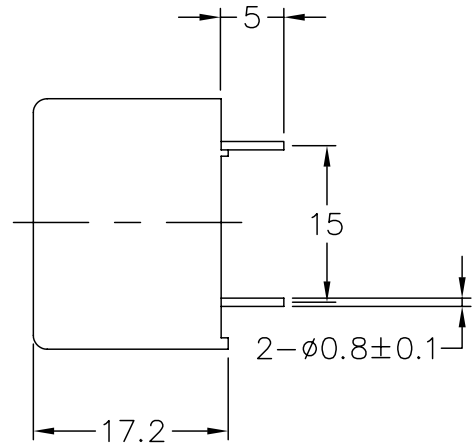
THIS DOCUMENT CONTAINS DATA PROPRIETARY TO PROJECTS UNLIMITED, INC. ANY USE OR REPRODUCTION, IN ANY FORM, WITHOUT PRIOR WRITTEN PERMISSION OF PROJECTS UNLIMITED, INC. IS PROHIBITED.
© 2005, Projects Unlimited Inc.

SPECIFICATIONS

PARAMETERS	VALUES	UNITS
RATED VOLTAGE	12	Vdc
OPERATING VOLTAGE RANGE	8 ~ 18	Vdc
RATED CURRENT (MAX)	8	mA
MINIMUM SPL @ 10 cm	95	dBA
RESONANT FREQUENCY	3800±500	Hz
TONE OR PULSE RATE	CONTINUOUS	0 PULSE PER SECOND
OPERATING TEMPERATURE	-30 ~ +85	°C
STORAGE TEMPERATURE	-40 ~ +95	°C
HOUSING MATERIAL	ABS	-
TERMINAL MATERIAL	TIN-PLATED BRASS PINS	-
WEIGHT	4	grams




REVISIONS			
LTR	DESCRIPTION	DATE	APPROVED
-	RELEASED FROM ENGINEERING	10/08/01	
A	REVISED TO NEW TEMPLATE	11/08/05	B.R.
B	REVISED SPL FROM 105 TO 95	01/05/06	E.P.



NOTES:

1. ALL DIMENSIONS ARE IN MILLIMETERS.
2. SPECIFICATION SUBJECT TO CHANGE OR WITHDRAWAL WITHOUT NOTICE.

FILE NAME
AI-254H.DWG

UNLESS OTHERWISE SPECIFIED: DIMENSIONS ARE IN MILLIMETERS. TOLERANCES ARE ±0.5 AND ANGLES ARE ±3°.		 projects® unlimited Dayton, Ohio									
<table border="1"> <thead> <tr> <th>APPROVALS</th> <th>DATE</th> </tr> </thead> <tbody> <tr> <td>DRAWN <i>RABL</i></td> <td>10/01</td> </tr> <tr> <td>CHECKED <i>X.X.</i></td> <td>X/XX</td> </tr> <tr> <td>APPROVED <i>S.J.</i></td> <td>6/04/02</td> </tr> </tbody> </table>		APPROVALS	DATE	DRAWN <i>RABL</i>	10/01	CHECKED <i>X.X.</i>	X/XX	APPROVED <i>S.J.</i>	6/04/02	INDICATOR	
APPROVALS	DATE										
DRAWN <i>RABL</i>	10/01										
CHECKED <i>X.X.</i>	X/XX										
APPROVED <i>S.J.</i>	6/04/02										
DO NOT SCALE DRAWING		SIZE A	DRAWING NO. AI-254H								
		SCALE: N.T.S.	SHEET 1 OF 1								