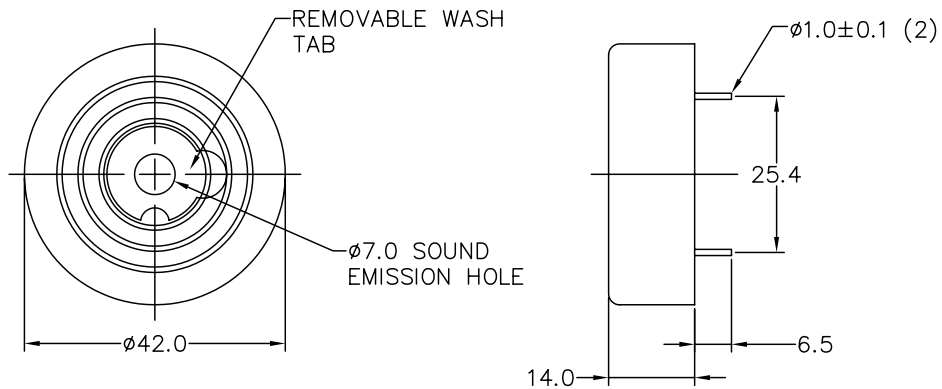


THIS DOCUMENT CONTAINS DATA PROPRIETARY TO PROJECTS UNLIMITED, INC. ANY USE OR REPRODUCTION, IN ANY FORM, WITHOUT PRIOR WRITTEN PERMISSION OF PROJECTS UNLIMITED, INC. IS PROHIBITED.
© 2003, Projects Unlimited Inc.

SPECIFICATIONS

PARAMETERS	VALUES	UNITS
RATED VOLTAGE	12	Vdc
OPERATING VOLTAGE RANGE	3 ~ 28	Vdc
RATED CURRENT (MAX)	10	mA
MINIMUM SPL @ 10 cm	99	dB
RESONANT FREQUENCY	2,800±500	Hz
TONE OR PULSE RATE	CONTINUOUS	0 PULSE PER SECOND
OPERATING TEMPERATURE	-30 ~ +85	°C
STORAGE TEMPERATURE	-40 ~ +95	°C
HOUSING MATERIAL	ABS	-
TERMINAL MATERIAL	TIN-PLATED BRASS	-
WEIGHT	12	grams


REVISIONS			
LTR	DESCRIPTION	DATE	APPROVED
-	RELEASED FROM ENGINEERING	4/18/02	
A	REVISED TO NEW TEMPLATE	2/16/05	R.W.
B	REVISED SOUND EMISSION HOLE DIA.	10/18/05	B.R.



NOTES:

1. ALL DIMENSIONS ARE IN MILLIMETERS.
2. SPECIFICATION SUBJECT TO CHANGE OR WITHDRAWAL WITHOUT NOTICE.

FILE NAME
AI-400.DWG

UNLESS OTHERWISE SPECIFIED: DIMENSIONS ARE IN MILLIMETERS, TOLERANCES ARE ±0.5 AND ANGLES ARE ±3°.		 projects® unlimited Dayton, Ohio									
<table border="1"> <thead> <tr> <th>APPROVALS</th> <th>DATE</th> </tr> </thead> <tbody> <tr> <td>DRAWN R.A.C.</td> <td>4/02</td> </tr> <tr> <td>CHECKED</td> <td></td> </tr> <tr> <td>APPROVED R.W.</td> <td>6/02</td> </tr> </tbody> </table>		APPROVALS	DATE	DRAWN R.A.C.	4/02	CHECKED		APPROVED R.W.	6/02	INDICATOR AI-400	
APPROVALS	DATE										
DRAWN R.A.C.	4/02										
CHECKED											
APPROVED R.W.	6/02										
DO NOT SCALE DRAWING		SIZE A	DRAWING NO. AI-400								
		SCALE: N.T.S.	SHEET 1 OF 1								