

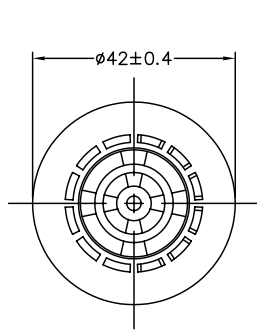
THIS DOCUMENT CONTAINS DATA PROPRIETARY TO PROJECTS UNLIMITED, INC. ANY USE OR REPRODUCTION, IN ANY FORM, WITHOUT PRIOR WRITTEN PERMISSION OF PROJECTS UNLIMITED, INC. IS PROHIBITED.
© 2005, Projects Unlimited Inc.

SPECIFICATIONS

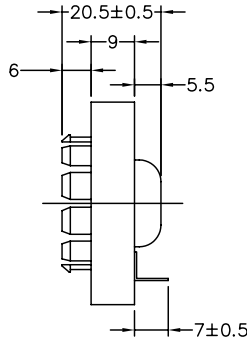
PARAMETERS	VALUES	UNITS
RATED VOLTAGE	24	Vdc
OPERATING VOLTAGE RANGE	1 ~ 28	Vdc
RATED CURRENT (MAX)	15	mA
MINIMUM SPL @ 10 cm	95	dB
RESONANT FREQUENCY	2900 ±500	Hz
TONE OR PULSE RATE	SINGLE	0 PULSE PER SECOND
OPERATING TEMPERATURE	-20 ~ +60	°C
STORAGE TEMPERATURE	-30 ~ +70	°C
HOUSING MATERIAL	ABS	-
TERMINAL MATERIAL	Sn PLATED BRASS TABS	-
WEIGHT	14	grams

REVISIONS

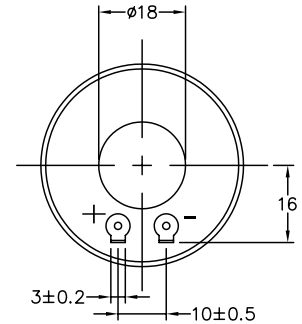
LTR	DESCRIPTION	DATE	APPROVED
-	RELEASED FROM ENGINEERING	5/13/05	
A	ADDED ELECTRICAL SPECIFICATION	12/06/02	S.J.
B	REVISED TO NEW TEMPLATE	11/09/05	B.R.
C	REVISED RATED CURRENT	02/22/06	B.R.



TOP VIEW



SIDE VIEW



BOTTOM VIEW

NOTES:

1. ALL DIMENSIONS ARE IN MILLIMETERS.
2. SPECIFICATION SUBJECT TO CHANGE OR WITHDRAWAL WITHOUT NOTICE.

FILE NAME
AI-390.DWG

UNLESS OTHERWISE SPECIFIED: DIMENSIONS ARE IN MILLIMETERS, TOLERANCES ARE ±0.5 AND ANGLES ARE ±3°.	
APPROVALS	DATE
DRAWN TMM	5/99
CHECKED X.X.	X/XX
APPROVED S.J.	05/09/99
DO NOT SCALE DRAWING	



projects®
unlimited

Dayton, Ohio

INDICATOR

SIZE
A

DRAWING NO.
AI-390

SCALE: N.T.S.

SHEET 1 OF 1