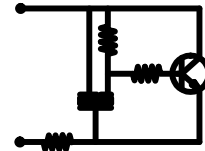
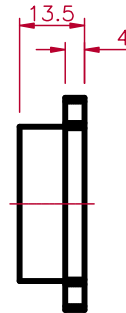
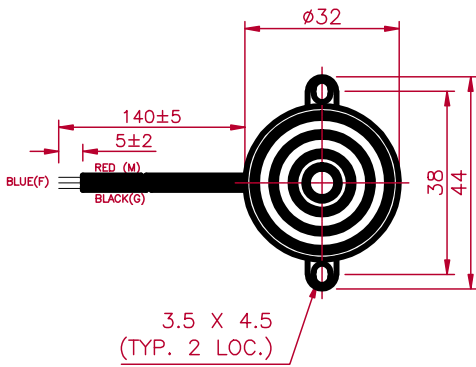


THIS DOCUMENT CONTAINS DATA PROPRIETARY TO PROJECTS UNLIMITED, INC. ANY USE OR REPRODUCTION, IN ANY FORM, WITHOUT PRIOR WRITTEN PERMISSION OF PROJECTS UNLIMITED, INC. IS PROHIBITED.
 © 2005, Projects Unlimited Inc.

SPECIFICATIONS

PARAMETERS	VALUES	UNITS
RATED VOLTAGE	12	Vp-p
OPERATING VOLTAGE RANGE	3 ~ 28	Vp-p
RATED CURRENT (MAX)	7	mA
CAPACITANCE	20000±30%	pF
MINIMUM SPL @ 10 CM	98	dB
RESONANT FREQUENCY	3700±500	Hz
OPERATING TEMPERATURE	-30 ~ +85	°C
STORAGE TEMPERATURE	-40 ~ +95	°C
HOUSING MATERIAL	ABS BLACK	-
TERMINAL MATERIAL	LEAD WIRES	-
WEIGHT	7.5	grams

REVISIONS			
LTR	DESCRIPTION	DATE	APPROVED
-	RELEASED FROM ENGINEERING	6/23/99	
A	ADDED ELECTRICAL SPECIFICATION	6/17/02	S.J.
B	CHANGED ELECTRICAL SPECIFICATION	9/23/03	R.W.
C	REVISED TO NEW TEMPLATE	8/4/05	B.R.

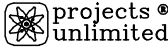


The current consumption and the sound pressure level are measured by using the recommended driving circuit shown above.

NOTES:

1. ALL DIMENSIONS ARE IN MILLIMETERS.
2. SPECIFICATION SUBJECT TO CHANGE OR WITHDRAWAL WITHOUT NOTICE.

FILE NAME
AT-173.DWG

UNLESS OTHERWISE SPECIFIED: DIMENSIONS ARE IN MILLIMETERS, TOLERANCES ARE ±0.5 AND ANGLES ARE ±3°.		 projects® unlimited Dayton, Ohio									
<table border="1"> <thead> <tr> <th>APPROVALS</th> <th>DATE</th> </tr> </thead> <tbody> <tr> <td>DRAWN TMM</td> <td>6/99</td> </tr> <tr> <td>CHECKED S.J.</td> <td>6/99</td> </tr> <tr> <td>APPROVED S.J.</td> <td>6/99</td> </tr> </tbody> </table>		APPROVALS	DATE	DRAWN TMM	6/99	CHECKED S.J.	6/99	APPROVED S.J.	6/99	PIEZO CERAMIC TRANSDUCER	
APPROVALS	DATE										
DRAWN TMM	6/99										
CHECKED S.J.	6/99										
APPROVED S.J.	6/99										
DO NOT SCALE DRAWING		SIZE A	DRAWING NO. AT-173								
		SCALE: N.T.S.	SHEET 1 OF 1								