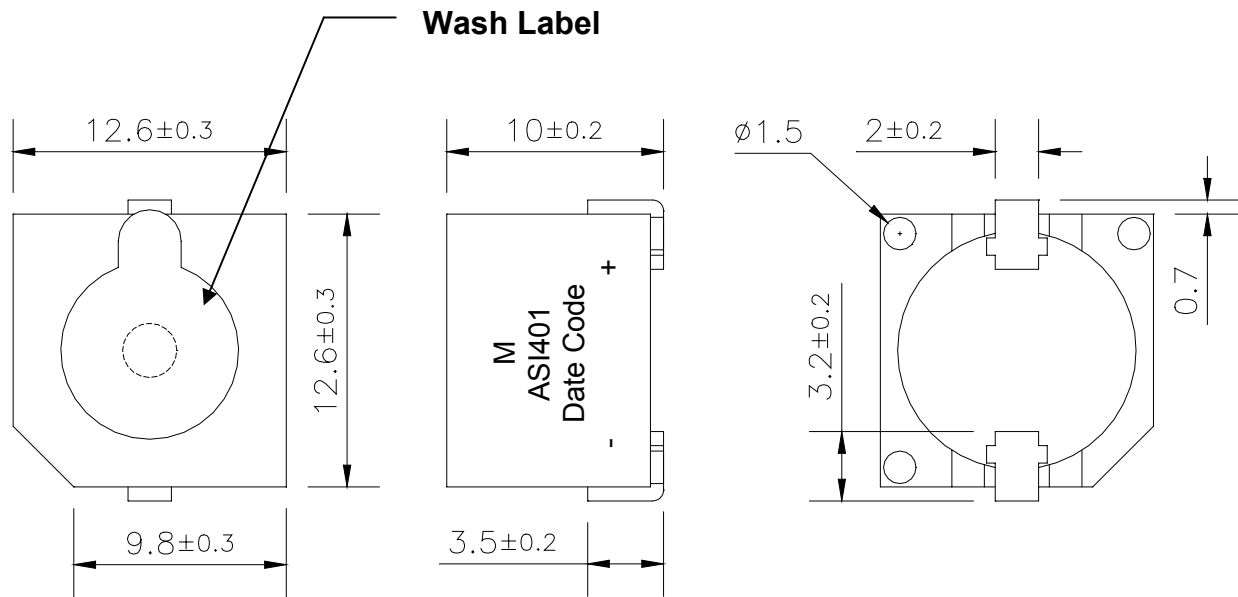


OBSOLETE- USE ASI401Q

Specification

Resonant Frequency (Hz)	2400 ± 300
Operating Voltage (Vdc)	9.0 ~ 15
Rated Voltage (Vdc)	12
Current Consumption Max. (mA)	50 at Rated Voltage
Sound Pressure Level Min. (dB)	90 at 10cm at Rated Voltage
Tone/Pulse Rate	Constant
Operating Temperature (°C)	-20 ~ +70
Storage Temperature (°C)	-30 ~ +80
Housing	PPO plastic resin (Color: Gray)
Type of Connection Terminals	SMD
Weight (Grams)	2.8
Options	For other options contact factory

Dimensions: (units: mm)



Packaging:

Parts are supplied in Tubes