

THIS DOCUMENT CONTAINS DATA PROPRIETARY TO PROJECTS UNLIMITED, INC. ANY USE OR REPRODUCTION, IN ANY FORM, WITHOUT PRIOR WRITTEN PERMISSION OF PROJECTS UNLIMITED, INC. IS PROHIBITED.  
© 2003, Projects Unlimited Inc.

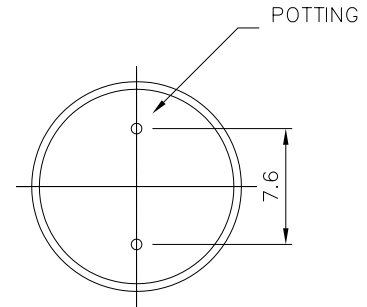
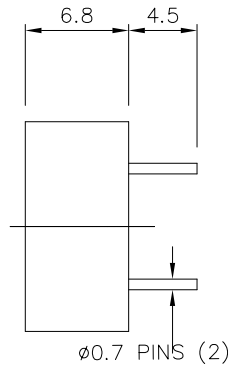
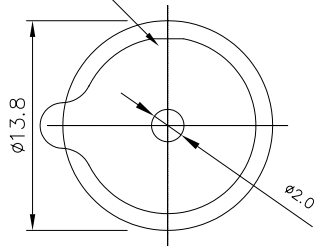
SPECIFICATIONS

PARAMETERS	VALUES	UNITS
RATED VOLTAGE	5	Vp-p
OPERATING VOLTAGE RANGE	1 ~ 20	Vp-p
RATED CURRENT (MAX)	1	mA
CAPACITANCE	13,000±30%	OHM
MINIMUM SPL @ 10 CM	80	dBA
RESONANT FREQUENCY	3,800±500	Hz
OPERATING TEMPERATURE	-20 ~ +70	°C
STORAGE TEMPERATURE	-30 ~ +80	°C
HOUSING MATERIAL	NORYL	-
TERMINAL MATERIAL	TIN-PLATED RED COPPER	-
WEIGHT	1	grams

REVISIONS

LTR	DESCRIPTION	DATE	APPROVED
-	RELEASED FROM ENGINEERING	6/23/99	
A	ADDED ELECTRICAL SPECIFICATION	6/17/02	S.J.
B	REVISED TO NEW TEMPLATE	2/12/04	R.W.
C	REVISED OPERATING TEMPERATURE	3/24/04	R.W.
D	REVISED DIMENSIONS & SPECIFICATIONS	1/31/05	R.W.

REMOVABLE TAB FOR WAVE SOLDERING AND WASHING



NOTES:

1. ALL DIMENSIONS ARE IN MILLIMETERS.
2. SPECIFICATION SUBJECT TO CHANGE OR WITHDRAWAL WITHOUT NOTICE.

FILE NAME  
AT-17.DWG

UNLESS OTHERWISE SPECIFIED:  
DIMENSIONS ARE IN MILLIMETERS; TOLERANCES ARE ±0.5 AND ANGLES ARE ±3°.

APPROVALS	DATE
DRAWN TMM	6/99
APPROVED S.J.	6/99

DO NOT SCALE DRAWING



projects®  
unlimited

Dayton, Ohio

SUB MINIATURE PIEZO CERAMIC AUDIO TRANSDUCER  
AT-17

SIZE A DRAWING NO.  
AT-17

SCALE: N.T.S. SHEET 1 OF 1