

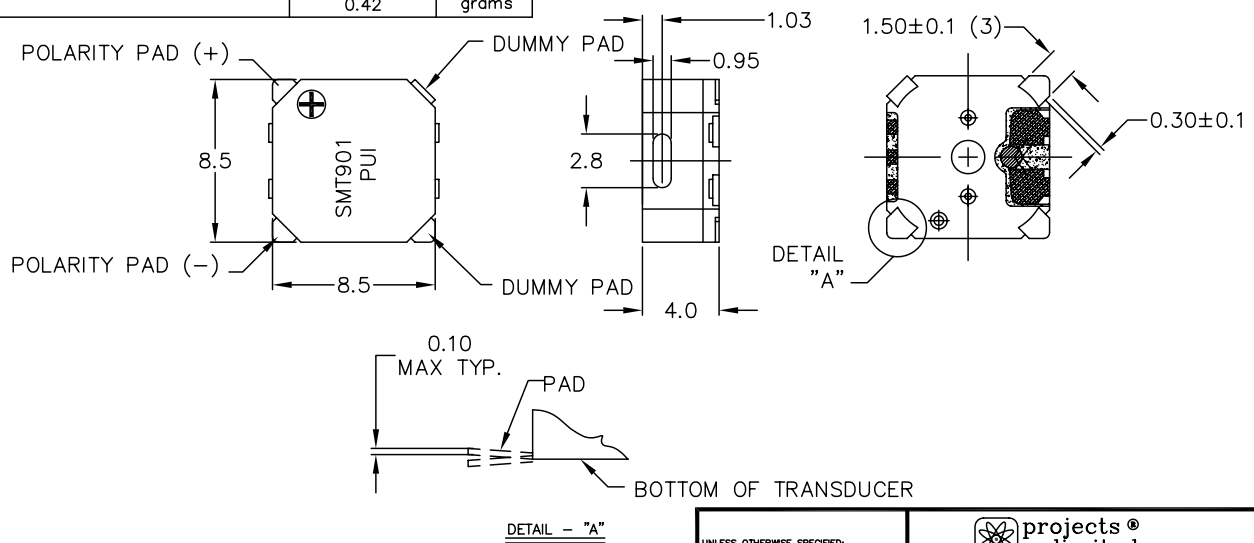
THIS DOCUMENT CONTAINS DATA PROPRIETARY TO PROJECTS UNLIMITED, INC. ANY USE OR REPRODUCTION, IN ANY FORM, WITHOUT PRIOR WRITTEN PERMISSION OF PROJECTS UNLIMITED, INC. IS PROHIBITED.  
© 2003, Projects Unlimited Inc.

SPECIFICATIONS

PARAMETERS	VALUES	UNITS
RATED VOLTAGE (SQUARE WAVE)	5	Vp-p
OPERATING VOLTAGE RANGE	3 ~ 7	Vp-p
RATED CURRENT (MAX)	70	mA
COIL RESISTANCE	32±5	OHM
MINIMUM SPL @ 10 CM	87	dB(A)
RESONANT FREQUENCY	2,300±500	Hz
OPERATING TEMPERATURE	-30 ~ +70	°C
STORAGE TEMPERATURE	-40 ~ +85	°C
HOUSING MATERIAL	LCP	-
TERMINAL MATERIAL	TIN-PLATED PHOSPHOR BRONZE	-
WEIGHT	0.42	grams

REVISIONS

LTR	DESCRIPTION	DATE	APPROVED
-	RELEASED FROM ENGINEERING	8/25/99	
A	ADDED ELECTRICAL SPECIFICATION	10/16/01	S.J.
B	REDREW ENTIRE DRAWING	12/17/02	S.J.
C	REVISED OPERATING TEMPERATURE	4/25/03	S.J.
D	REVISED TO NEW TEMPLATE	6/3/04	R.W.
E	REVISED SPECIFICATIONS	2/10/05	R.W.
F	REVISED DIMENSION SIZE AND STYLE	11/29/05	B.R.



NOTES:

1. ALL DIMENSIONS ARE IN MILLIMETERS.
2. SPECIFICATION SUBJECT TO CHANGE OR WITHDRAWAL WITHOUT NOTICE.

FILE NAME  
SMT-901.DWG

UNLESS OTHERWISE SPECIFIED:  
DIMENSIONS ARE IN MILLIMETERS; TOLERANCES ARE ±0.5 AND ANGLES ARE ±3°.

APPROVALS	DATE
DRAWN TMM	8/99
APPROVED S.J.	8/99
DO NOT SCALE DRAWING	

projects® unlimited Dayton, Ohio

SURFACE MOUNT TRANSDUCER  
SMT-901

SIZE A	DRAWING NO. SMT-901
SCALE: N.T.S.	SHEET 1 OF 1