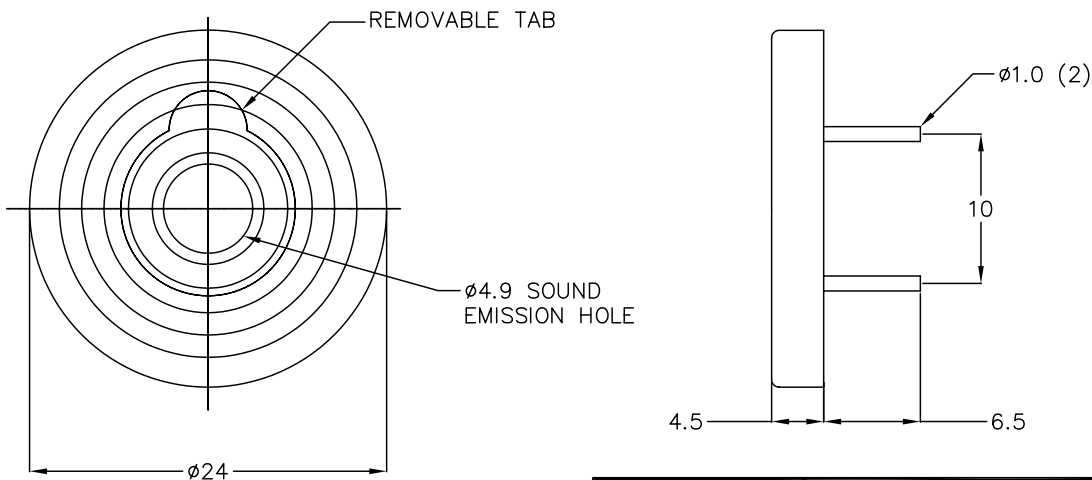


THIS DOCUMENT CONTAINS DATA PROPRIETARY TO PROJECTS UNLIMITED, INC. ANY USE OR REPRODUCTION, IN ANY FORM, WITHOUT PRIOR WRITTEN PERMISSION OF PROJECTS UNLIMITED, INC. IS PROHIBITED.  
© 2003, Projects Unlimited Inc.

SPECIFICATIONS

PARAMETERS	VALUES	UNITS
RATED VOLTAGE	10	Vp-p
OPERATING VOLTAGE RANGE	1 ~ 30	Vp-p
RATED CURRENT (MAX)	8	mA
CAPACITANCE	12,000±30%	OHM
MINIMUM SPL @ 10 CM	85	dBA
RESONANT FREQUENCY	6,000	Hz
OPERATING TEMPERATURE	-30 ~ +85	°C
STORAGE TEMPERATURE	-40 ~ +95	°C
HOUSING MATERIAL	ABS UL-94 1/16" HB	-
WEIGHT	2.3	grams

REVISIONS			
LTR	DESCRIPTION	DATE	APPROVED
-	RELEASED FROM ENGINEERING	5/6/02	
A	REVISED TO NEW TEMPLATE	2/16/04	R.W.
B	REVISED SOUND EMISSION HOLE DIM.	10/11/05	B.R.



NOTES:

1. ALL DIMENSIONS ARE IN MILLIMETERS.
2. SPECIFICATION SUBJECT TO CHANGE OR WITHDRAWAL WITHOUT NOTICE.

FILE NAME  
AT-124.DWG

UNLESS OTHERWISE SPECIFIED: DIMENSIONS ARE IN MILLIMETERS; TOLERANCES ARE ±0.5 AND ANGLES ARE ±3°.		<b>projects® unlimited</b> Dayton, Ohio							
<table border="1"> <thead> <tr> <th>APPROVALS</th> <th>DATE</th> </tr> </thead> <tbody> <tr> <td>DRAWN <i>RABL</i></td> <td>5/02</td> </tr> <tr> <td>APPROVED <i>S.J.</i></td> <td>5/02</td> </tr> </tbody> </table>		APPROVALS	DATE	DRAWN <i>RABL</i>	5/02	APPROVED <i>S.J.</i>	5/02	TRANSDUCER(PIEZO) AT-124	
APPROVALS	DATE								
DRAWN <i>RABL</i>	5/02								
APPROVED <i>S.J.</i>	5/02								
SIZE A	DRAWING NO. AT-124								
DO NOT SCALE DRAWING		SCALE: N.T.S.	SHEET 1 OF 1						