

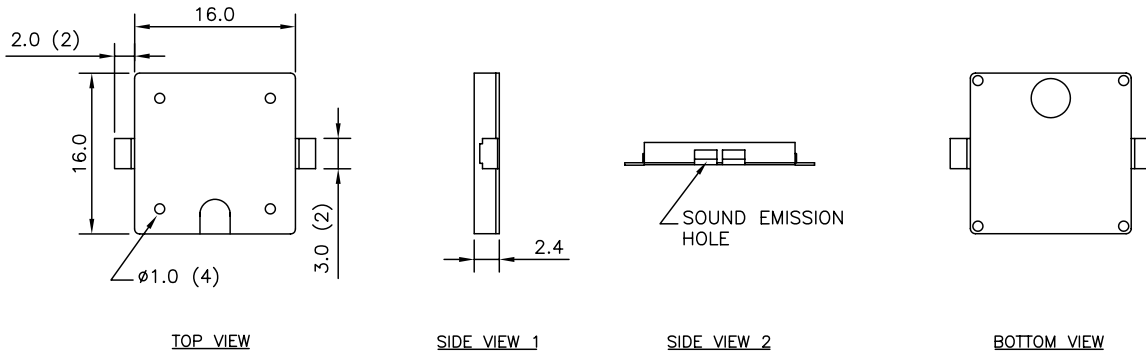
THIS DOCUMENT CONTAINS DATA PROPRIETARY TO PROJECTS UNLIMITED, INC. ANY USE OR REPRODUCTION, IN ANY FORM, WITHOUT PRIOR WRITTEN PERMISSION OF PROJECTS UNLIMITED, INC. IS PROHIBITED.  
© 2003, Projects Unlimited Inc.

SPECIFICATIONS

PARAMETERS	VALUES	UNITS
RATED VOLTAGE	5	Vp-p
OPERATING VOLTAGE RANGE	1 ~ 25	Vp-p
RATED CURRENT (MAX)	3	mA
CAPACITANCE	14,000±30%	pF
MINIMUM SPL @ 10 CM	70	dBA
RESONANT FREQUENCY	4,000±500	Hz
OPERATING TEMPERATURE	-20 ~ +70	°C
STORAGE TEMPERATURE	-30 ~ +80	°C
HOUSING MATERIAL	LCP	-
TERMINAL MATERIAL	Ni-ALLOY	-
WEIGHT	1	grams

REVISIONS

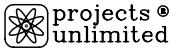
LTR	DESCRIPTION	DATE	APPROVED
-	RELEASED FROM ENGINEERING	2/27/02	
A	REVISED TO NEW TEMPLATE	4/28/04	R.W.



NOTES:

1. ALL DIMENSIONS ARE IN MILLIMETERS.
2. SPECIFICATION SUBJECT TO CHANGE OR WITHDRAWAL WITHOUT NOTICE.

FILE NAME  
SMT-1625.DWG

UNLESS OTHERWISE SPECIFIED: DIMENSIONS ARE IN MILLIMETERS. TOLERANCES ARE ±0.5 AND ANGLES ARE ±3°.		 Dayton, Ohio							
<table border="1"> <thead> <tr> <th>APPROVALS</th> <th>DATE</th> </tr> </thead> <tbody> <tr> <td>DRAWN <i>RABL</i></td> <td>2/02</td> </tr> <tr> <td>APPROVED <i>S.J.</i></td> <td>6/02</td> </tr> </tbody> </table>		APPROVALS	DATE	DRAWN <i>RABL</i>	2/02	APPROVED <i>S.J.</i>	6/02	SURFACE MOUNT TRANSDUCER SMT-1625	
APPROVALS	DATE								
DRAWN <i>RABL</i>	2/02								
APPROVED <i>S.J.</i>	6/02								
SIZE A		DRAWING NO. SMT-1625							
DO NOT SCALE DRAWING		SCALE: N.T.S.	SHEET 1 OF 1						