

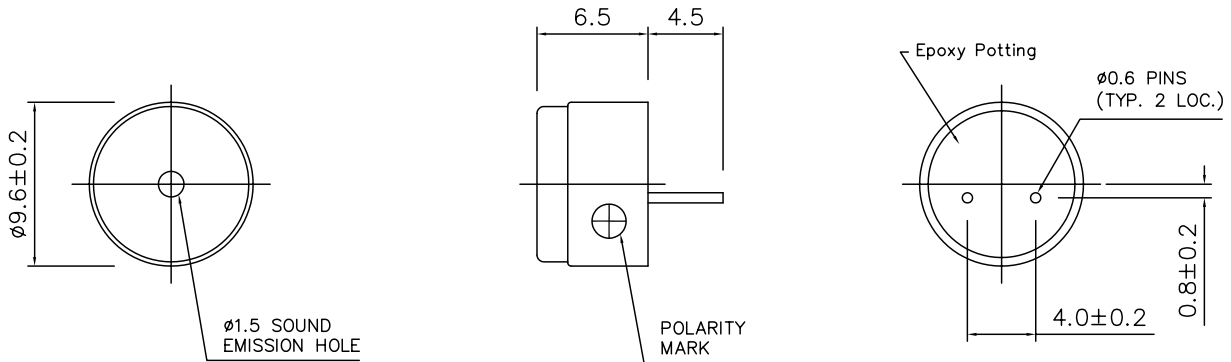
THIS DOCUMENT CONTAINS DATA PROPRIETARY TO PROJECTS UNLIMITED, INC. ANY USE OR REPRODUCTION, IN ANY FORM, WITHOUT PRIOR WRITTEN PERMISSION OF PROJECTS UNLIMITED, INC. IS PROHIBITED.
© 2003, Projects Unlimited Inc.

SPECIFICATIONS

PARAMETERS	VALUES	UNITS
RATED VOLTAGE (SQUARE WAVE)	1.5	Vp-p
OPERATING VOLTAGE RANGE	1 ~ 3	Vp-p
RATED CURRENT (MAX)	80	mA
COIL RESISTANCE	5.5±1	OHM
MINIMUM SPL @ 10 CM	85	dBA
RESONANT FREQUENCY	3,100±500	Hz
OPERATING TEMPERATURE	-20 ~ +85	°C
STORAGE TEMPERATURE	-30 ~ +85	°C
HOUSING MATERIAL	NORYL	-
TERMINAL MATERIAL	RED COPPER	-
WEIGHT	1	grams

REVISIONS

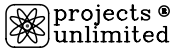
LTR	DESCRIPTION	DATE	APPROVED
-	RELEASED FROM ENGINEERING	7/6/99	
A	ADDED ELECTRICAL SPECIFICATION	6/17/02	S.J.
B	REVISED TO NEW TEMPLATE	9/1/04	R.W.



NOTES:

1. ALL DIMENSIONS ARE IN MILLIMETERS.
2. SPECIFICATION SUBJECT TO CHANGE OR WITHDRAWAL WITHOUT NOTICE.

FILE NAME
MAT-001.DWG

UNLESS OTHERWISE SPECIFIED: DIMENSIONS ARE IN MILLIMETERS; TOLERANCES ARE ±0.5 AND ANGLES ARE ±3°.		 projects® unlimited Dayton, Ohio							
<table border="1"> <thead> <tr> <th>APPROVALS</th> <th>DATE</th> </tr> </thead> <tbody> <tr> <td>DRAWN <i>TMM</i></td> <td>6/99</td> </tr> <tr> <td>APPROVED <i>S.J.</i></td> <td>7/99</td> </tr> </tbody> </table>		APPROVALS	DATE	DRAWN <i>TMM</i>	6/99	APPROVED <i>S.J.</i>	7/99	TRANSDUCER(ELECTRO-MECH) MAT-001	
APPROVALS	DATE								
DRAWN <i>TMM</i>	6/99								
APPROVED <i>S.J.</i>	7/99								
DO NOT SCALE DRAWING		SIZE A	DRAWING NO. MAT-001						
		SCALE: N.T.S.	SHEET 1 OF 1						