

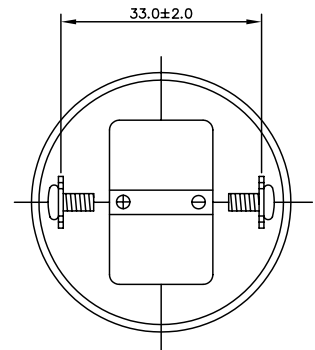
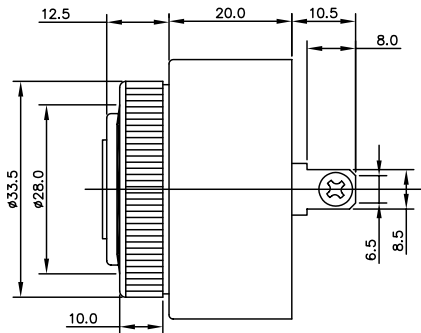
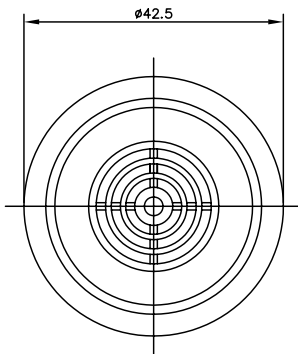
THIS DOCUMENT CONTAINS DATA PROPRIETARY TO PROJECTS UNLIMITED, INC. ANY USE OR REPRODUCTION, IN ANY FORM, WITHOUT PRIOR WRITTEN PERMISSION OF PROJECTS UNLIMITED, INC. IS PROHIBITED.  
© 2003, Projects Unlimited Inc.

SPECIFICATIONS

PARAMETERS	VALUES	UNITS
RATED VOLTAGE	12	Vdc
OPERATING VOLTAGE RANGE	10 ~ 48	Vdc
RATED CURRENT (MAX)	3	mA
MINIMUM SPL @ 10 cm.	86	dBA
RESONANT FREQUENCY	2,800±500	Hz
TONE OR PULSE RATE	CONTINUOUS	0 PULSE PER SECOND
OPERATING TEMPERATURE	-30 ~ +85	°C
STORAGE TEMPERATURE	-40 ~ +85	°C
HOUSING MATERIAL	NYLON UL-94-V-0	-
TERMINAL MATERIAL	TIN-PLATED TAPPED SCREW	-
WEIGHT	35.3	grams

REVISIONS

LTR	DESCRIPTION	DATE	APPROVED
-	RELEASED FROM ENGINEERING	2/13/04	
A	REVISED DRAWING NO.	10/5/04	R. W.
B	ADDED IP RATING	10/5/04	E. P.



NOTES:

1. ALL DIMENSIONS ARE IN MILLIMETERS.
2. SPECIFICATION SUBJECT TO CHANGE OR WITHDRAWAL WITHOUT NOTICE.
3. THIS PART IS IP67 RATED.

UNLESS OTHERWISE SPECIFIED:  
DIMENSIONS ARE IN MILLIMETERS, TOLERANCES ARE ±0.5 AND ANGLES ARE ±3°.

APPROVALS	DATE
DRAWN R. A. O.	2/04
APPROVED R. W.	2/04
DO NOT SCALE DRAWING	



PIEZO AUDIO INDICATOR  
AI-4228-P-C48

THIS PART IS UL RECOGNIZED IN THE USA AND CANADA.  
FILE NAME  
AI-4228-P-C48.DWG

SIZE A	DRAWING NO. AI-4228-P-C48
SCALE: N.T.S.	SHEET 1 OF 1