

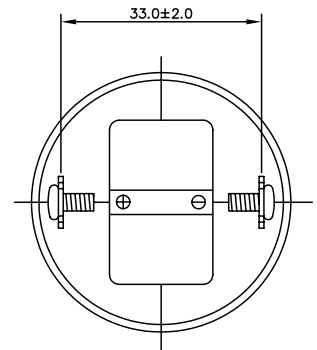
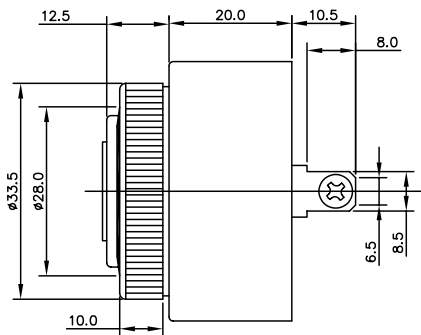
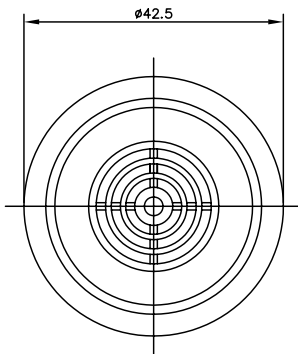
THIS DOCUMENT CONTAINS DATA PROPRIETARY TO PROJECTS UNLIMITED, INC. ANY USE OR REPRODUCTION, IN ANY FORM, WITHOUT PRIOR WRITTEN PERMISSION OF PROJECTS UNLIMITED, INC. IS PROHIBITED.
© 2003, Projects Unlimited Inc.

SPECIFICATIONS

PARAMETERS	VALUES	UNITS
RATED VOLTAGE	12	Vdc
OPERATING VOLTAGE RANGE	6 ~ 16	Vdc
RATED CURRENT (MAX)	11	mA
MINIMUM SPL @ 10 cm.	86	dBA
RESONANT FREQUENCY	2,900±500	Hz
TONE OR PULSE RATE	CHIME	0.5 PULSE PER SECOND
OPERATING TEMPERATURE	-30 ~ +85	°C
STORAGE TEMPERATURE	-40 ~ +85	°C
HOUSING MATERIAL	NYLON	-
TERMINAL MATERIAL	UL-94-V-0 TIN-PLATED TAPPED SCREW	-
WEIGHT	58	grams

REVISIONS

LTR	DESCRIPTION	DATE	APPROVED
-	RELEASED FROM ENGINEERING	2/25/04	
A	ADDED IP RATING	4/15/05	E. P.

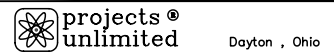


NOTES:

1. ALL DIMENSIONS ARE IN MILLIMETERS.
2. SPECIFICATION SUBJECT TO CHANGE OR WITHDRAWAL WITHOUT NOTICE.
3. THIS PART IS IP67 RATED

UNLESS OTHERWISE SPECIFIED:
DIMENSIONS ARE IN MILLIMETERS, TOLERANCES ARE ±0.5 AND ANGLES ARE ±3°.

APPROVALS	DATE
DRAWN R. A. O.	2/04
APPROVED R. W.	2/04
DO NOT SCALE DRAWING	



PIEZO AUDIO INDICATOR
AI-4228-P-CH16

THIS PART IS UL RECOGNIZED IN THE USA AND CANADA.
FILE NAME
AI-4228-P-CH16.DWG

SIZE A	DRAWING NO. AI-4228-P-CH16
SCALE: N.T.S.	SHEET 1 OF 1