

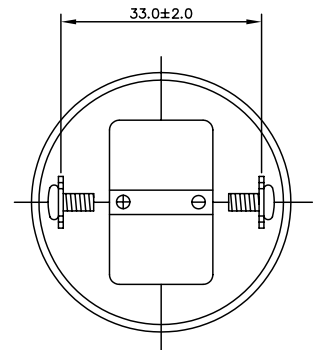
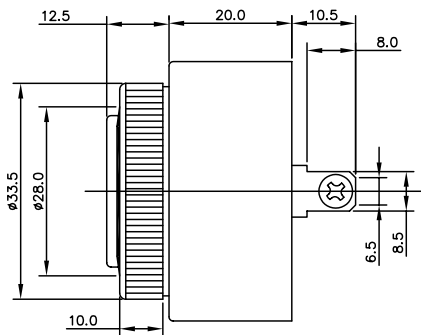
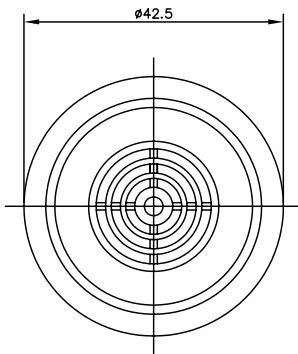
THIS DOCUMENT CONTAINS DATA PROPRIETARY TO PROJECTS UNLIMITED, INC. ANY USE OR REPRODUCTION, IN ANY FORM, WITHOUT PRIOR WRITTEN PERMISSION OF PROJECTS UNLIMITED, INC. IS PROHIBITED.
© 2003, Projects Unlimited Inc.

SPECIFICATIONS

PARAMETERS	VALUES	UNITS
RATED VOLTAGE	110	Vdc
OPERATING VOLTAGE RANGE	30 ~ 120	Vdc/Vac
RATED CURRENT (MAX)	20	mA
MINIMUM SPL @ 10 cm.	92	dBA
RESONANT FREQUENCY	2,800±500	Hz
TONE OR PULSE RATE	SLOW	1.0 PULSE PER SECOND
OPERATING TEMPERATURE	-30 ~ +85	°C
STORAGE TEMPERATURE	-40 ~ +85	°C
HOUSING MATERIAL	NYLON	-
TERMINAL MATERIAL	UL-94-V-0 TIN-PLATED TAPPED SCREW	-
WEIGHT	42	grams

REVISIONS

LTR	DESCRIPTION	DATE	APPROVED
-	RELEASED FROM ENGINEERING	2/13/04	
A	ADDED IP RATING	4/15/05	E. P.



NOTES:

1. ALL DIMENSIONS ARE IN MILLIMETERS.
2. SPECIFICATION SUBJECT TO CHANGE OR WITHDRAWAL WITHOUT NOTICE.
3. THIS PART IS IP67 RATED.

UNLESS OTHERWISE SPECIFIED:
DIMENSIONS ARE IN MILLIMETERS, TOLERANCES ARE ±0.5 AND ANGLES ARE ±3°.

APPROVALS	DATE
DRAWN R. A. O.	2/04
APPROVED R. W.	2/04

DO NOT SCALE DRAWING

THIS PART IS UL RECOGNIZED IN THE USA AND CANADA.

FILE NAME
AI-4228-P-SP120.DWG

projects® unlimited Dayton, Ohio

PIEZO AUDIO INDICATOR
AI-4228-P-SP120

SIZE A DRAWING NO. AI-4228-P-SP120
SCALE: N.T.S. SHEET 1 OF 1