

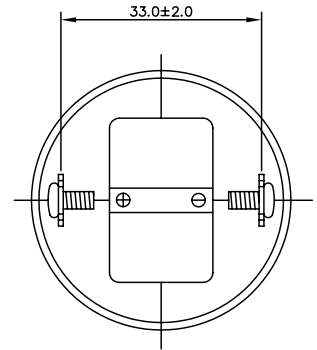
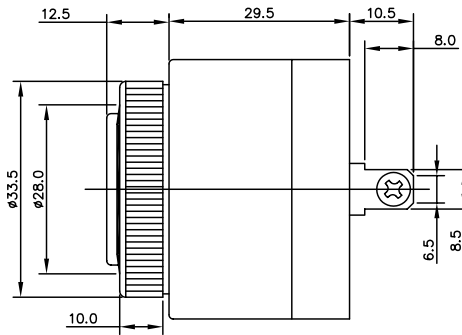
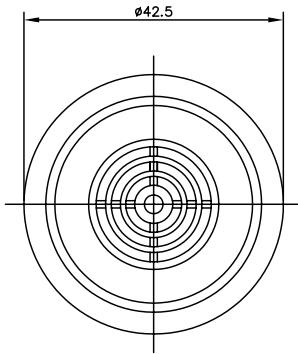
THIS DOCUMENT CONTAINS DATA PROPRIETARY TO PROJECTS UNLIMITED, INC. ANY USE OR REPRODUCTION, IN ANY FORM, WITHOUT PRIOR WRITTEN PERMISSION OF PROJECTS UNLIMITED, INC. IS PROHIBITED.
© 2003, Projects Unlimited Inc.

SPECIFICATIONS

PARAMETERS	VALUES	UNITS
RATED VOLTAGE	220	Vac
OPERATING VOLTAGE RANGE	60 ~ 250	Vdc/Vac
RATED CURRENT (MAX)	18	mA
MINIMUM SPL @ 10 cm.	94	dBA
RESONANT FREQUENCY	2,800±500	Hz
TONE OR PULSE RATE	SLOW	1.2 PULSE PER SECOND
OPERATING TEMPERATURE	-30 ~ +85	°C
STORAGE TEMPERATURE	-40 ~ +85	°C
HOUSING MATERIAL	NYLON	-
TERMINAL MATERIAL	UL-94-V-0 TIN-PLATED TAPPED SCREW	-
WEIGHT	56	grams

REVISIONS

LTR	DESCRIPTION	DATE	APPROVED
-	RELEASED FROM ENGINEERING	2/13/04	
A	REVISED TITLE	2/2/05	R. W.
B	ADDED IP RATING	4/14/05	E. P.



NOTES:

1. ALL DIMENSIONS ARE IN MILLIMETERS.
2. SPECIFICATION SUBJECT TO CHANGE OR WITHDRAWAL WITHOUT NOTICE.
3. THIS PART IS IP67 RATED.

UNLESS OTHERWISE SPECIFIED:
DIMENSIONS ARE IN MILLIMETERS. TOLERANCES ARE ±0.5 AND ANGLES ARE ±3°.

APPROVALS	DATE
DRAWN R. A. O.	2/04
APPROVED R. W.	2/04

THIS PART IS UL RECOGNIZED IN THE USA AND CANADA.
FILE NAME
AI-4228-P-SP250.DWG



PIEZO AUDIO INDICATOR
AI-4228-P-SP250

SIZE A	DRAWING NO. AI-4228-P-SP250
DO NOT SCALE DRAWING	SCALE: N.T.S.
SHEET 1 OF 1	