

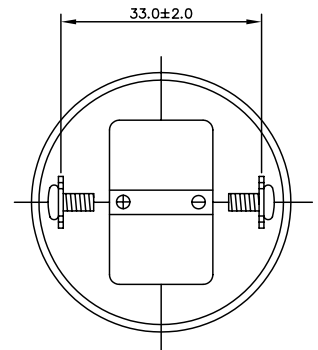
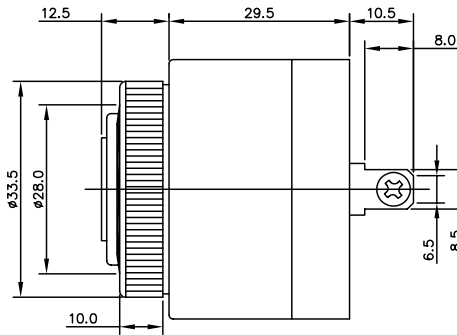
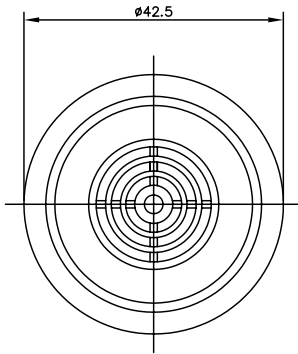
THIS DOCUMENT CONTAINS DATA PROPRIETARY TO PROJECTS UNLIMITED, INC. ANY USE OR REPRODUCTION, IN ANY FORM, WITHOUT PRIOR WRITTEN PERMISSION OF PROJECTS UNLIMITED, INC. IS PROHIBITED.
© 2003, Projects Unlimited Inc.

SPECIFICATIONS

PARAMETERS	VALUES	UNITS
RATED VOLTAGE	220	Vdc
OPERATING VOLTAGE RANGE	60 ~ 250	Vdc/Vac
RATED CURRENT (MAX)	18	mA
MINIMUM SPL @ 10 cm.	94	dBA
RESONANT FREQUENCY	2,800±500	Hz
TONE OR PULSE RATE	FAST	3.0 PULSE PER SECOND
OPERATING TEMPERATURE	-30 ~ +85	°C
STORAGE TEMPERATURE	-40 ~ +85	°C
HOUSING MATERIAL	NYLON	-
TERMINAL MATERIAL	UL-94-V-0 TIN-PLATED TAPPED SCREW	-
WEIGHT	58.8	grams

REVISIONS

LTR	DESCRIPTION	DATE	APPROVED
-	RELEASED FROM ENGINEERING	2/17/04	
A	ADDED IP RATING	4/15/05	E. P.



NOTES:


1. ALL DIMENSIONS ARE IN MILLIMETERS.
2. SPECIFICATION SUBJECT TO CHANGE OR WITHDRAWAL WITHOUT NOTICE.
3. THIS PART IS IP67 RATED

UNLESS OTHERWISE SPECIFIED:
DIMENSIONS ARE IN MILLIMETERS, TOLERANCES ARE ±0.5 AND ANGLES ARE ±3°.

APPROVALS	DATE
DRAWN R. A. O.	2/04
APPROVED R. W.	2/04
DO NOT SCALE DRAWING	

projects® unlimited Dayton, Ohio

PIEZO AUDIO INDICATOR
AI-4228-P-FP250

THIS PART IS UL RECOGNIZED IN THE USA AND CANADA. 
FILE NAME
AI-4228-P-FP250.DWG

SIZE A
DRAWING NO.
AI-4228-P-FP250
SCALE: N.T.S. SHEET 1 OF 1