

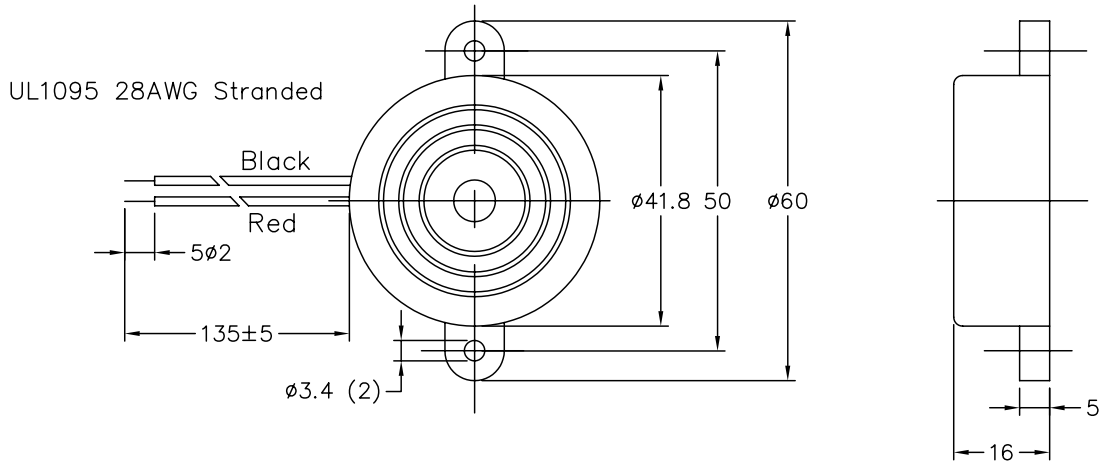
THIS DOCUMENT CONTAINS DATA PROPRIETARY TO PROJECTS UNLIMITED, INC. ANY USE OR REPRODUCTION, IN ANY FORM, WITHOUT PRIOR WRITTEN PERMISSION OF PROJECTS UNLIMITED, INC. IS PROHIBITED.
© 2005, Projects Unlimited Inc.

SPECIFICATIONS

PARAMETERS	VALUES	UNITS
RATED VOLTAGE	15	Vp-p
OPERATING VOLTAGE RANGE	1 ~ 30	Vp-p
RATED CURRENT (MAX)	9	mA
CAPACITANCE	22,000±30%	pF
MINIMUM SPL @ 10 CM	100	dBA
RESONANT FREQUENCY	3,300	Hz
OPERATING TEMPERATURE	-20 ~ +60	°C
STORAGE TEMPERATURE	-30 ~ +70	°C
HOUSING MATERIAL	ABS	-
TERMINAL MATERIAL	LEAD WIRES	-
WEIGHT	10	grams

REVISIONS

LTR	DESCRIPTION	DATE	APPROVED
-	RELEASED FROM ENGINEERING	05/06/02	
A	REVISED TO NEW TEMPLATE	10/12/05	
B	REVISED MINIMUM SPL	12/9/05	B.R.



NOTES:

1. ALL DIMENSIONS ARE IN MILLIMETERS.
2. SPECIFICATION SUBJECT TO CHANGE OR WITHDRAWAL WITHOUT NOTICE.

FILE NAME
AT-14.DWG

UNLESS OTHERWISE SPECIFIED:
DIMENSIONS ARE IN
MILLIMETERS, TOLERANCES ARE ±0.5 AND
ANGLES ARE ±3°.

APPROVALS	DATE
DRAWN <i>RABL</i>	05/02
CHECKED <i>X.X.</i>	<i>X/XX</i>
APPROVED <i>S.J.</i>	06/11/02

DO NOT SCALE DRAWING



projects®
unlimited

Dayton, Ohio

TRANSDUCER (PIEZO)

SIZE
A

DRAWING NO.
AT-14

SCALE: N.T.S.

SHEET 1 OF 1