



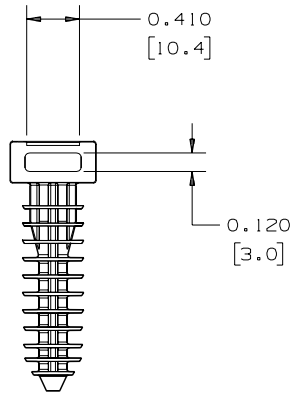
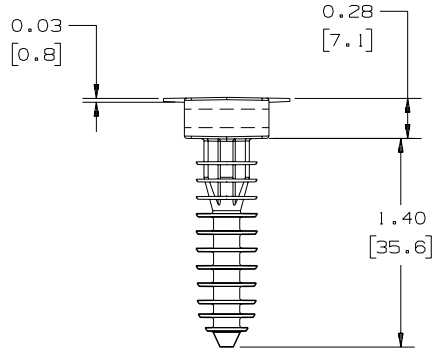
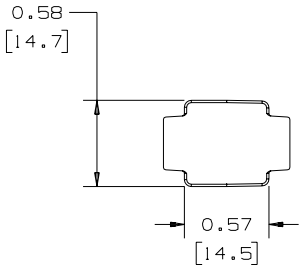
MPMWH32-L0



- Used to secure wire cable or tubing to masonry surfaces. Installed quickly into pre-drilled holes. Design holds bundle securely.

▪ Part Number	MPMWH32-L0
▪ RoHS Compliancy Status	Compliant
▪ Part Description	Masonry Push Barb Cable Tie Mount
▪ Product Type	Cable Tie Mounts - Push Mount
▪ Material	Impact Modified Weather Resistant Nylon 6.6
▪ Color	Black
▪ Height (In.)	.28
▪ Height (mm)	7.1
▪ Length (mm)	35.8
▪ Width (In.)	.58
▪ Width (mm)	14.7
▪ CE Compliant	CT-ACC4 / 10.96
▪ Environment	Outdoors
▪ Grip Length (In.)	1.41
▪ Grip Length (mm)	35.8
▪ Hole Diameter (In.)	.32
▪ Hole Diameter (mm)	8.0
▪ Max. Bundle Diameter (mm)	8.4
▪ Mounting Method	Tree Barb
▪ Pricing Description	Masonry Push Mount, Standard, .31" (7.9mm) Hole, BL
▪ Thickness (In.)	.57
▪ Thickness (mm)	14.5
▪ Used With Cable Ties	M, I, S, HS, LH, H, HLM
▪ Min. Order UOM	PC
▪ Min. Order Qty.	50
▪ BOM Qty. (# of Pkgs.)	

THIS COPY IS PROVIDED ON A RESTRICTED BASIS AND IS NOT TO BE USED IN ANY WAY DETRIMENTAL TO THE INTERESTS OF PANDUIT CORP.



PANDUIT PART NO. *	USED WITH CABLE TIES	HOLE SIZE in (mm)	WEIGHT lbs/ 100 pc (g)/
SGMPMWH32	M, I, S, LH, H SG100M, SG150I, SG200S, SG250S, SG300S, SG370S, SG350LH, SG450H	.315 DIA. x 1.41 DP (8 DIA. x 35.8 DP)	0.67 (303)
MPMWH32			

NOTES:

- * 1. SEE CURRENT PRICE SHEET FOR PART NUMBER SUFFIX DESIGNATION FOR PACKAGE SIZE.

DIMENSIONS IN BRACKETS ARE METRIC [mm]

CAD FILENAME/LAYERS G00201BA_PB_MPMWH32_05

PANDUIT CORP. TINLEY PARK, ILLINOIS

SUPER GRIP MASONRY PUSH MOUNT
SGMPMWH32 & MPMWH32

UNLESS OTHERWISE SPECIFIED,
DIMENSIONAL TOLERANCES ARE:
(.X) ± 0.1 (2.5) (.XXX) ± 0.02 (0.5)
(.XX) ± 0.05 (1.3) ANGLES ± 5°

UNLESS OTHERWISE SPECIFIED,
ALL DIMENSIONS ARE GIVEN
IN INCHES, THIRD ANGLE PROJECTION.

DRAWN BY TMSA

MAT'L:

SCALE

DATE 5-23-06

IMPACT RESISTANT
WEATHER RESISTANT
NYLON 6/6
COLOR: BLACK

DRAWING NO.

G00201BA

DWG
SIZE
A

REV	DATE	BY	CHK	DESCRIPTION	ECN	R	CUST	SUP	QC
5	5-23-06			COMPLETELY REVISED LAYOUT AND ADDED PART NUMBER SGMPMWH32	G00201BA	5			