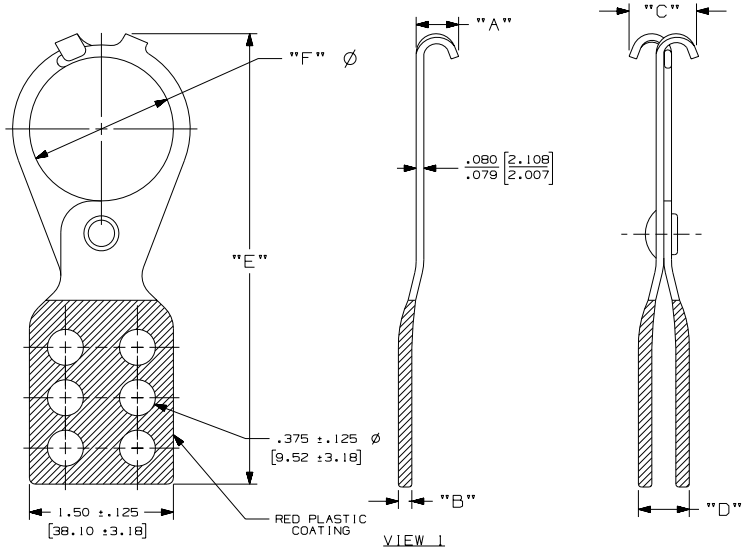


THIS COPY IS PROVIDED ON A RESTRICTED BASIS AND IS NOT TO BE USED IN ANY WAY DETRIMENTAL TO THE INTERESTS OF PANDUIT CORP.



PART NUMBER	DESCRIPTION	MATERIAL	MAX. NO. LOCKS.	STANDARD PKG.
PSL-1	HASP WITH 1.0" (25 mm) DIA. JAW AND OVERLAPPING TABS	C108 STEEL ZINC PLATED	6	12
PSL-1.5	HASP WITH 1.5" (38 mm) DIA. JAW AND OVERLAPPING TABS	C108 STEEL ZINC PLATED	6	12
PSL-1A	HASP WITH 1.0" (25 mm) DIA. JAW	C108 STEEL ZINC PLATED	6	12
PSL-1.5A	HASP WITH 1.5" (38 mm) DIA. JAW	C108 STEEL ZINC PLATED	6	12

NOTES:
 1. DIMENSIONS SHOWN IN BRACKETS ARE IN MILLIMETERS.
 2. VIEW 1. SHOWS ONLY ONE HALF OF LOCKOUT.

	"A"	"B"	"C"	"D"	"E" +/- .12 [3.05]	"F" Ø +/- .12 [3.05]
PSL-1.0	.370 +/- .030 [9.40 +/- .762]	.140 +/- .030 [3.56 +/- .762]	.490 +/- .063 [12.45 +/- 1.60]	.375 +/- .063 [9.53 +/- 1.60]	4.48 [113.79]	1.00 [25.40]
PSL-1.5	.330 +/- .030 [8.38 +/- .762]	.140 +/- .030 [3.56 +/- .762]	.490 +/- .063 [12.45 +/- 1.60]	.375 +/- .063 [9.53 +/- 1.60]	5.00 [127]	1.50 [38.10]

CAD FILENAME/LAYERS 100619XM_C10099_PSL_00.prt

PANDUIT CORP TINLEY PARK, ILLINOIS

SAFETY LOCKOUT WITH TAB-STEEL 1.0" AND 1.5" JAWS (PSL-**)

UNLESS OTHERWISE SPECIFIED, DIMENSIONAL TOLERANCES ARE:
 (X) ± (XXX) ± ANGLE ±
 UNLESS OTHERWISE SPECIFIED, ALL DIMENSIONS ARE GIVEN IN INCHES, THIRD ANGLE PROJECTION

REV	DATE	BY	CHK	DESCRIPTION	ECN	R	CUST	SUP
3	7-27-06	RVU		ADD TABLE "E" AND "F".	4583	R		
2	3-29-05	RVU	DWY	ADDED SIDE VIEW, VIEW 1, AND DIMENSIONS "A", "B", "C" AND "D".	3840	R		
1	3-25-03	RVU	DWY	DIMENSION 1.50 ± .125, 5.00 ± .125, & TOLERANCE ADDED. MISC. REVISIONS.	3207	R		
R	9-23-99	RVU	DWY	DRAWING RELEASE	1438	R		

DRAWN BY: RVU	MAT'L: SEE TABLE	SCALE: NTS
DATE: 9-23-99		DWG NO.: C10099
CHK'D:		DWG SIZE: B