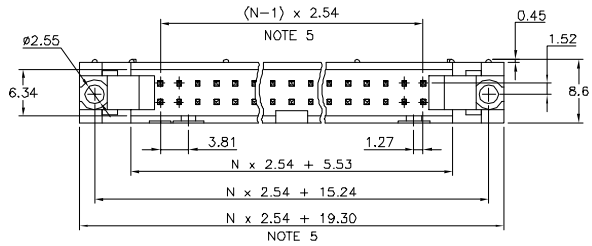


PRODUCT NUMBER
71918-YXXLF

WHEN REQUIRED, ADD SUFFIX LETTER "LF"
INDICATES THE PRODUCT IS RoHS
COMPATIBLE, SEE NOTE 10

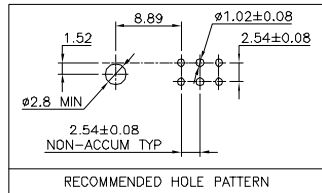
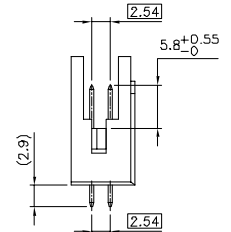
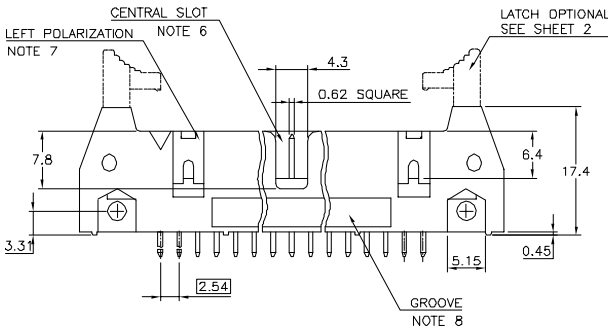
TOTAL NB OF POSITIONS, SEE SHEET 2

LATCHING
0= WITHOUT LATCH
1= STANDARD LATCH
2= LOW PROFILE LATCH

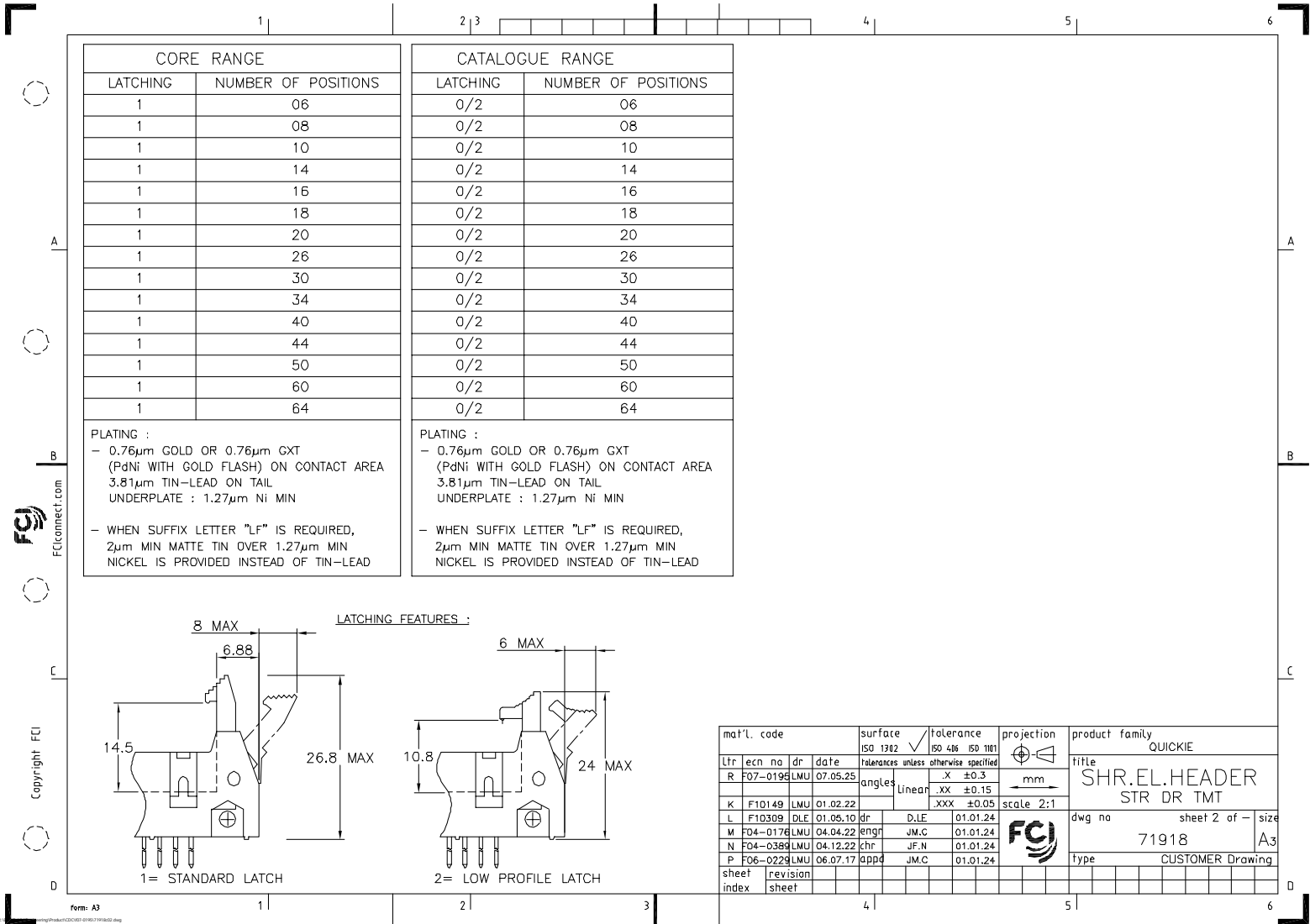


NOTES:

- 1 - HOUSING MAT'L : GLASS FILLED THERMOPLASTIC. UL94V-0 COLOR: GREY
- 2 - PIN MATERIAL : PHOSPHOR BRONZE
- 3 - PRODUCT PACKAGED IN TUBES
- 4 - 40N MIN LATCH RETENTION FORCE AT FIRST EXTRACTION
- 5 - TO DETERMINE DIMENSIONS :
N = NUMBER OF POSITIONS PER ROW
EXAMPLE : 8 POS N x 2.54 = 20.32mm
- 6 - NO CENTRAL SLOT ON POSITIONS 6 & 8
- 7 - NO LEFT POLARIZATION ON POSITIONS 06, 08, 10, 14.
- 8 - NO GROOVE ON POSITIONS 06, 08, 10, 14, 30, 34
- 9 - 4.5mm SOLDER TAIL
ORDER 71918-4XX (WITH STANDARD LATCH ONLY)
- 10 - RoHS COMPATIBLE PRODUCT SPECIFICATIONS
 - a - PLATING:
- "LF" MEANS THE PRODUCT IS LEAD-FREE, 2µm MINIMUM MATTE TIN OVER 1.27µm MINIMUM NICKEL UNDERPLATE.
 - b - MANUFACTURING PROCESS COMPATIBILITY
- THE HOUSING WILL WITHSTAND EXPOSURE TO 260°C ±5°C SOLDER BATH TEMPERATURE FOR 5 SECONDS IN A WAVE SOLDER APPLICATION WITH A 1.6mm MIN THICK CIRCUIT BOARD.
 - c - LABELING:
- MEETS PACKAGING SPECS AS PER GS-14-920
 - d - LEGAL STATEMENT: SEE GS-22-008.



mat'l. code	SEE NOTES	surface	ISO 1382	tolerance	ISO 486 ISO 1181	projection	product family
Ltr	ec'n no	dr	date	tolerances unless otherwise specified		mm	QUICKIE
R	F04-0196	LMU	04.05.28	angles	.X ±0.3	scale 2:1	title SHR.EL.HEADER STR DR TMT
S	F04-0389	LMU	04.12.20	linear	.XX ±0.13		
T	F06-0229	LMU	06.07.17		.XXX ±0.05	FCJ	dwg no 71918
U	F07-0195	LMU	07.05.25	dr	D.LE 01.01.24		
N	F04-0121	LMU	04.01.27	engr	JM.C 01.01.24	size A3	type CUSTOMER Drawing
P	F04-0176	LMU	04.04.22	chr	JF.N 01.01.24		
				appd	JM.C 01.01.24		
sheet index	revision	U	R				
	sheet	1	2				

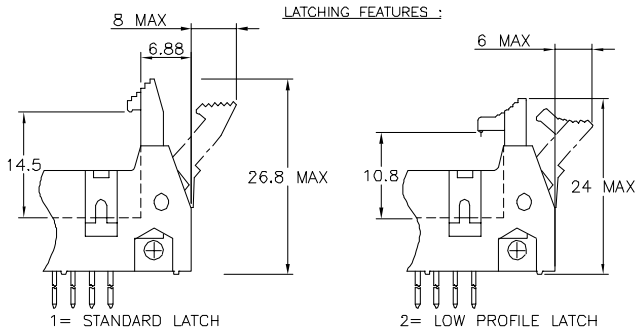


CORE RANGE	
LATCHING	NUMBER OF POSITIONS
1	06
1	08
1	10
1	14
1	16
1	18
1	20
1	26
1	30
1	34
1	40
1	44
1	50
1	60
1	64

CATALOGUE RANGE	
LATCHING	NUMBER OF POSITIONS
0/2	06
0/2	08
0/2	10
0/2	14
0/2	16
0/2	18
0/2	20
0/2	26
0/2	30
0/2	34
0/2	40
0/2	44
0/2	50
0/2	60
0/2	64

PLATING :
 - 0.76µm GOLD OR 0.76µm GXT
 (PdNi WITH GOLD FLASH) ON CONTACT AREA
 3.81µm TIN-LEAD ON TAIL
 UNDERPLATE : 1.27µm Ni MIN
 - WHEN SUFFIX LETTER "LF" IS REQUIRED,
 2µm MIN MATTE TIN OVER 1.27µm MIN
 NICKEL IS PROVIDED INSTEAD OF TIN-LEAD

PLATING :
 - 0.76µm GOLD OR 0.76µm GXT
 (PdNi WITH GOLD FLASH) ON CONTACT AREA
 3.81µm TIN-LEAD ON TAIL
 UNDERPLATE : 1.27µm Ni MIN
 - WHEN SUFFIX LETTER "LF" IS REQUIRED,
 2µm MIN MATTE TIN OVER 1.27µm MIN
 NICKEL IS PROVIDED INSTEAD OF TIN-LEAD



mat'l. code	surface	tolerance	projection	product family
	ISO 1382	ISO 486 ISO 1181	1st angle	QUICKIE
ltr	ecn no	dr	date	title
R	F07-0196	LMU	07.05.25	SHR.EL.HEADER STR DR TMT
				tolerances unless otherwise specified
				Linear .XX ±0.3
				angles .XXX ±0.05
K	F10149	LMU	01.02.22	scale 2:1
L	F10309	DLE	01.05.10	FCJ
M	F04-0176	LMU	04.04.22	dwg no
N	F04-0389	LMU	04.12.22	71918
P	F06-0229	LMU	06.07.17	sheet 2 of -
				size
				A3
				type
				CUSTOMER Drawing
sheet index	revision sheet			