



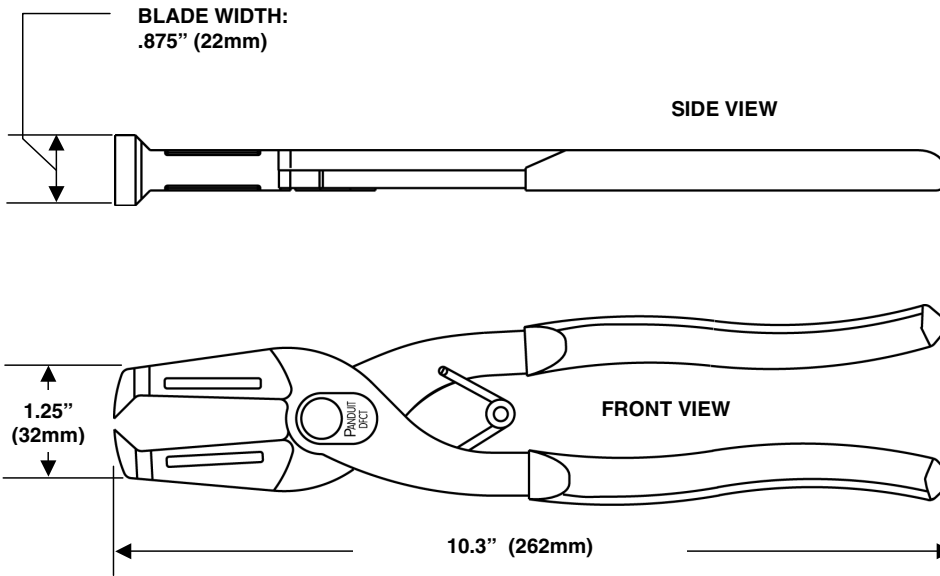
## DFCT



- An optional heavy duty tool used to easily remove duct fingers (for use with all wide slotted wiring duct).
- Easily cuts any *PANDUCT*® duct & cover

• Part Number	DFCT
• RoHS Compliancy Status	RoHS directive is not applicable
• Part Description	Hand-held duct finger cutting tool.
• Pricing Description	Duct Finger Cutting Tool
• Tool Type	Cutting
• Min. Order UOM	PC
• Min. Order Qty.	1
• BOM Qty. (# of Pkgs.)	

THIS COPY IS PROVIDED ON A RESTRICTED BASIS AND IS NOT TO BE USED IN ANY WAY DETRIMENTAL TO THE INTERESTS OF PANDUIT CORP.




**NOTES:**

- Cuts *PANDUCT* Wide Finger Wiring Duct
- Also removes NR1 Nylon Rivets
- Spring open handles
- Heavy duty steel construction

**WEIGHT:** 1.09 lb./ea.  
(495 gm./ea.)

**DIMENSIONS ARE FOR REFERENCE ONLY**

F:/wrkgrp/rvusers/engdocsnew/custdwgs/  
WD24740A01\_02 DFCT CD.doc

											CORP. TINLEY PARK, ILLINOIS		
									<b>TOOL * DFCT</b>				
									<b>DUCT FINGER CUTTING TOOL</b>				
						UNLESS OTHERWISE SPECIFIED, DIMENSIONAL TOLERANCES ARE:			UNLESS OTHERWISE SPECIFIED, ALL DIMENSIONS ARE GIVEN IN INCHES, THIRD ANGLE PROJECTION.				
02	3-23-05	BLR	MBR	ADD WIDE FINGER DUCT; SIDE VIEW W/DIM.	4153	--	DLWE		(.x) ± ---	(.xxx) ± ---			
01	6-30-03	BLR	ABJ	REMOVE DUCT TYPES	4092	--	DLWE		DRAWN BY: BLR	MATL:	SCALE NONE		
00	6-25-03	BLR	ABJ	RELEASED	4092	--	DLWE		DATE: 6-25-03	-----	DRAWING NO.		
REV	DATE	BY	CHK'D	DESCRIPTION	ECN	-R	CUST	SUP	CHK'D: ABJ		<b>WD24740A01</b>		DWG <b>A</b> SIZE