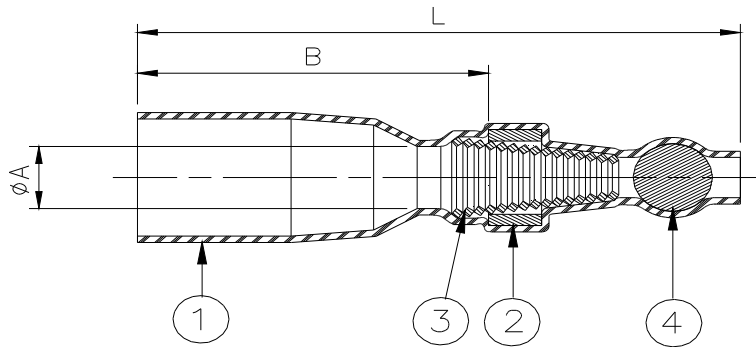


SPECIFICATION CONTROL DRAWING



Product Revision		Ball Color	Product Dimensions			Copper Cross Section		Bundle ø	
Product Name			L±3.5 (L±0.140)	øA	øB	Min. mm ² (CMA)	Max. mm ² (CMA)	øD max	M±1 (M±0.04)
SGRP-1	C	Green	38.3 (1.510)	3.1±0.2 (0.125±0.008)	26.0±2 (1.025±0.079)	0.7 (1400)	2.4 (4800)	4.0 (0.160)	15 (0.590)
SGRP-2	C	Red	37.7 (1.485)	3.9±0.2 (0.155±0.008)	23.5±2 (0.925±0.079)	2.0 (4000)	4.0(8000)	6.0 (0.235)	15 (0.590)
SGRP-3	D	Blue	44.5 (1.750)	5.35±0.3 (0.210±0.012)	25.5±3 (1.00±0.118)	3.5 (7000)	9.0(18000)	8.5 (0.335)	15 (0.590)
SGRP-4	D	Yellow	45.5 (1.790)	7.15±0.3 (0.280±0.012)	25.0±3 (0.985±0.118)	7.5 (15000)	15.0(3000)	10.5 (0.410)	15 (0.590)

These products are tested to RB109.

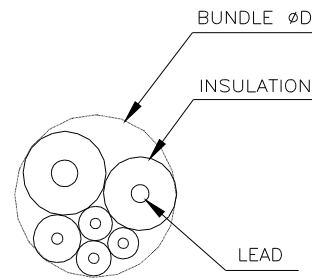
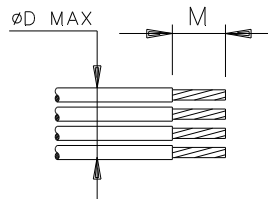
MATERIALS

- INSULATION SLEEVE: Heat-shrinkable, transparent blue, radiation cross-linked modified polyvinylidene fluoride.
- SOLDER PREFORM WITH FLUX:
SOLDER: TYPE Sn60 per ANSI-J-STD-006.
FLUX: TYPE ROM1 per ANSI-J-STD-004.
- CONICAL SPRING: Square copper wire.
- END CLOSURE BALL: Tinted glass. Color: see table.


APPLICATION

- These controlled soldering devices are designed stub splicing of stranded wires with bare copper conductor having an insulation rated for 85°C minimum.
- Temperature range: class 3A, -40°C to +125°C.
Vibration range: class 1 (body).
Seal range: class 0 (seal porous or no seal).
- For installation procedure and application equipment consult, RPIP-820-00.

For best results, prepare the cable as shown:



* A trademark of TE Connectivity

		TE Connectivity 300 Constitutional Drive Menlo Park, CA 94025 USA		Raychem		TITLE: SOLDERGRIP* STUB SPLICE			
UNLESS OTHERWISE SPECIFIED DIMENSIONS ARE IN MILLIMETERS. INCHES DIMENSIONS ARE BETWEEN BRACKETS.				DOCUMENT NO.: SGRP-X					
TOLERANCES: 0.00 N/A 0.0 N/A 0 N/A		ANGLES: N/A ROUGHNESS IN MICRON		TE Connectivity reserves the right to amend this drawing at any time. Users should evaluate the suitability of the product for their application.		DATE: 15-Apr-11		DOC ISSUE: 6	
DRAWN BY: M. FORONDA		CAGE CODE: 06090		REPLACES: D981339		DCR NUMBER: D020135		PROD. REV.: SEE TABLE	
						SCALE: None		SIZE: A	
								SHEET: 1 of 1	

Print Date: 9-May-11 If this document is printed it becomes uncontrolled. Check for the latest revision.