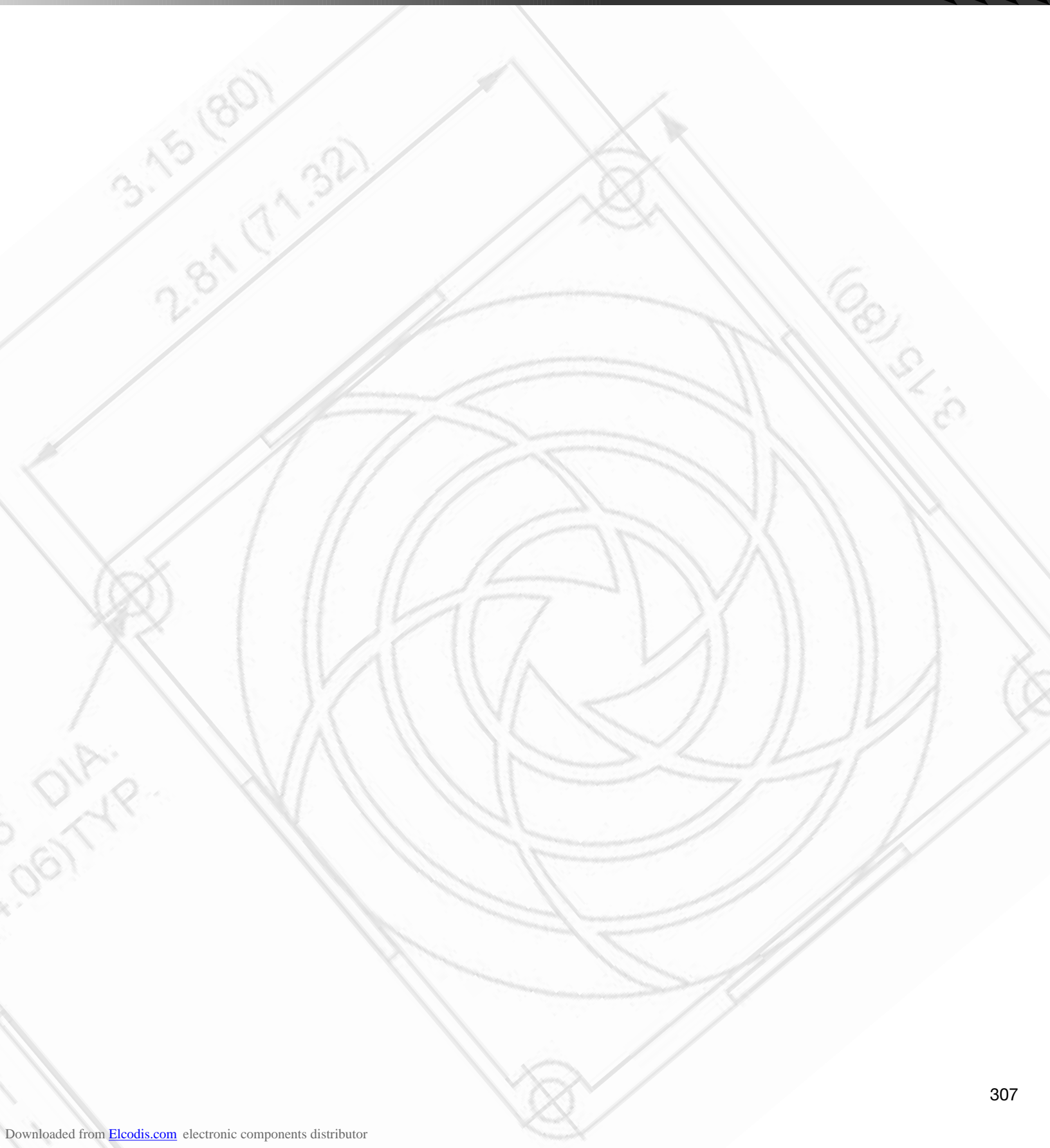


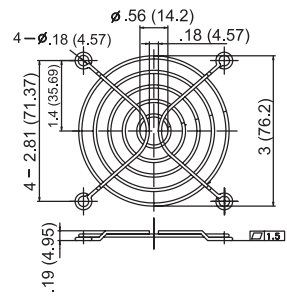
ACCESSORIES



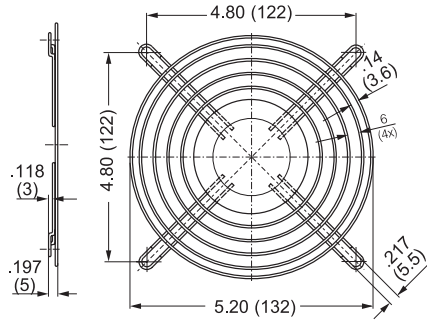
Fan Series	Plastic Finger Guards Barbed Insert	Plastic Finger Guards Thru Holes	.25" Plastic Filter with Foam Pad	Metal Finger Guard	Plug & Cord Set	Shock & Vibration Mount	Spacer	Mounting Screw Clip	Metal Mesh Filter	Screen	Bracket	Temp Sensor
400, 400F, 400JHH 600, 600F, 600N, 600NG, 600NV				LZ29-1 LZ28								
3000, 3600, 3900	LZ23-3	LZ23-2	10023-1-5170	LZ23	LZ120 LZ126		LZ260 LZ261	LZ212				LZ370 LZ370
3300, 3300V 3400, 3400N, 3400NV 4000, 4000AX, 4000N, 4000Z, 4100N, 4200, 4200N, 4400F, 4600N, 4600AX	LZ23-3 LZ23-3 LZ23-3	LZ23-2 LZ23-2 LZ23-2		LZ23								
4300, 4300N, 4300V	LZ30-6	LZ30-5 LZ30P	10021-1-5170	LZ30	LZ120 LZ126	2678-2-2945	LZ260	LZ210	LZ60	LZ40N	LZ40-1	LZ370
W2G115		88601-2-2929	10024-1-5170	09496-2-4039 50951-2-4039	01433-4-6711 01478-4-6711 01357-4-6711							
W2K121			10024-1-5170									
5100N, 5600				LZ25	LZ120 LZ126			LZ210				
5200N, DV5200, 5900	LZ33-2	LZ33-1		LZ35				LZ210				
6200N, 6200NT, 6200NTD				LZ37	LZ120 LZ126			LZ215				
6400, DV6400, 6400T				LZ38								
DV6200, DV6200TD				LZ37 (inlet) LZ39 (exhaust)								
W2G130				09498-2-4039								
W2S130				09498-2-4039 50950-2-4039								
7100N, 7200N				LZ24				LZ210				
8000A, 8000N, 8000V, 8100	LZ32-3	LZ32-2 LZ32P	10020-1-5170	LZ22N	LZ120 LZ126	2678-2-2945			LZ60-8			LZ370
8300, 8300V				LZ22N			LZ260	LZ212	LZ60-8			LZ370
8400, 8400N, 8400V				LZ22N			LZ261					
9900	LZ30-6	LZ30-5 LZ30P	10021-1-5170	LZ30				LZ210	LZ60	LZ40N	LZ40-1	
W2E142				03749-2-4039 50950-2-4039	01434-4-6711 01477-4-6711 01505-4-6711							
W2E143				04013-2-4039	01434-4-6711 01477-4-6711 01505-4-6711							
W1G180				26388-2-4039								LZ370
W1G200T				78128-2-4039								
W2E200T				78128-2-4039								
W1G250T				09418-2-4039								
W2E250T				09418-2-4039								
VARIOFAN												LZ370

Accessories - Metal Finger Guards Tubeaxial Fan

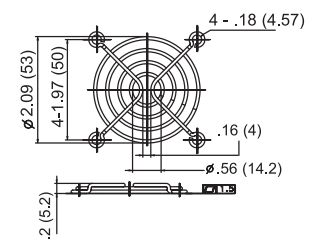
LZ22N Series 8000



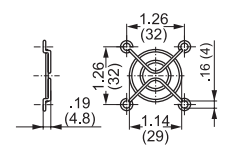
LZ25 Series 5100/5600



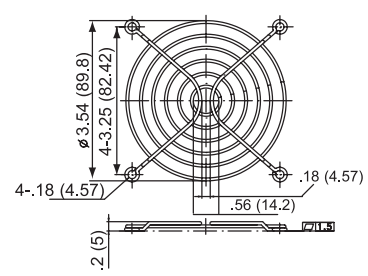
LZ28 Series 600



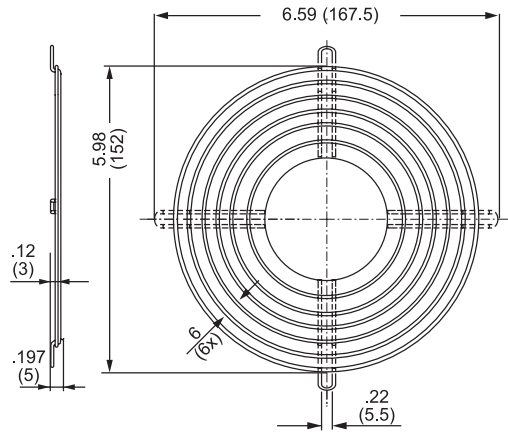
LZ29-1 Series 400



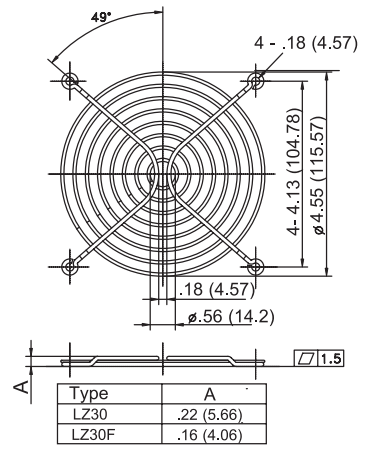
LZ23 Series 3000



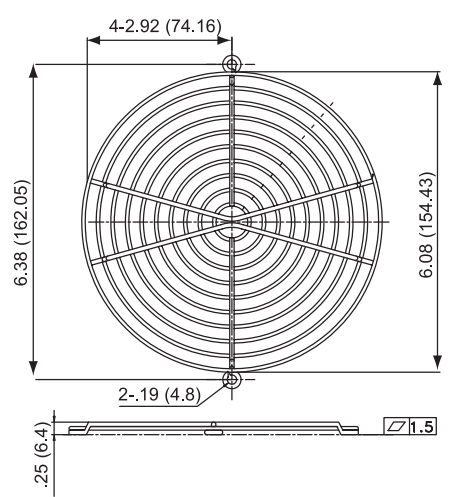
LZ26 Series 6000



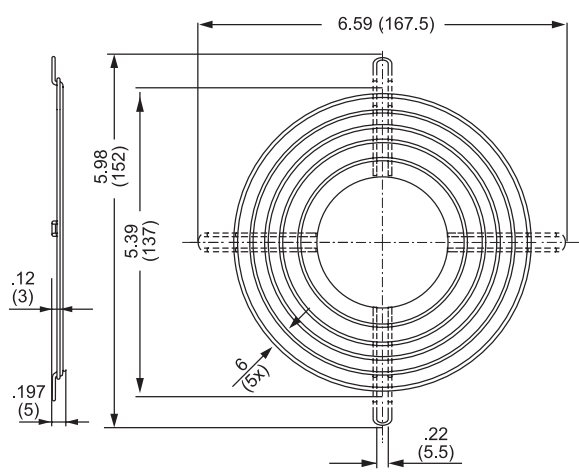
LZ30/LZ30F Series 4000/9000



LZ24 Series 7000

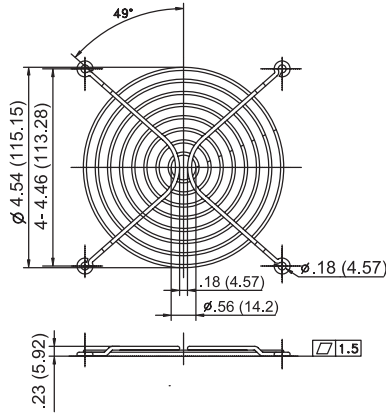


LZ27 Series 7000

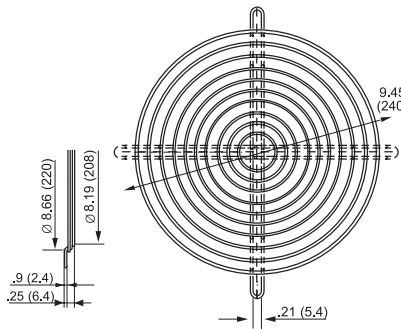


e-mail: sales@us.ebmpapst.com · TEL: 860-674-1515 · FAX: 860-674-8536
 ebm-papst Inc., 100 Hyde Road, Farmington, CT 06034 USA
 ebm-papst Inc., 2004 © ebm-papst Inc. reserves the right to change any specifications or data without notice

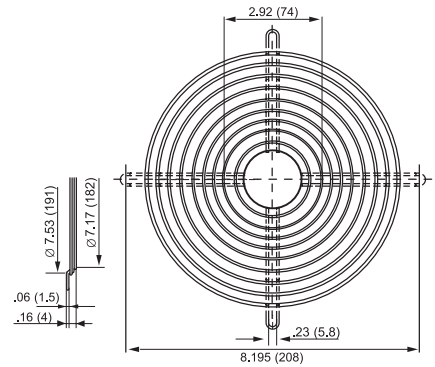
09496-2-4039-1 Series W2G115



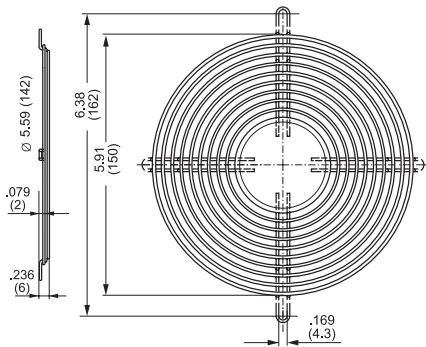
78128-2-4039 Series W1G200/W2E200



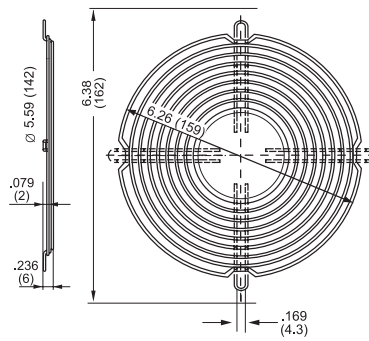
26388-2-4039 Series W1G180



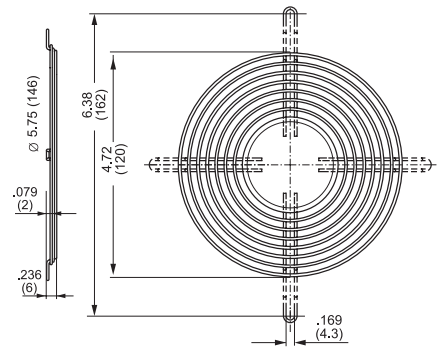
50950-2-4039 Series W2E142



50952-2-4039 Series W2E143



50951-2-4039 Series W2G115

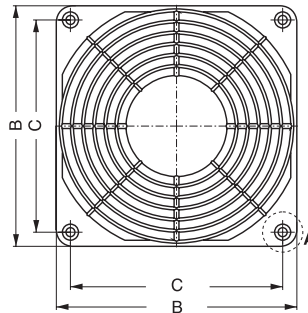
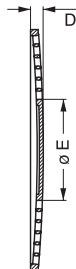


Part Number Changes -

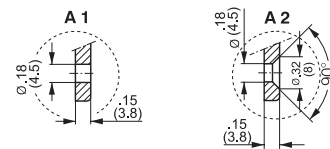
Old Part	New Part
9480-2-4039-1	LZ22N
9483-2-4039-1	LZ23
9497-2-4039-1	LZ30
9497-2-4039-2	LZ30F
9498-2-4039-1	LZ24
92163-2-2929	LZ32P
92165-2-2929	LZ30P

Accessories - Plastic Finger Guards Tubeaxial Fan

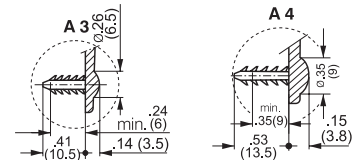
Part Number	Fan series	Dimensions LZ 32..					
		Finger Guards	Mounting	B	C	D	E
LZ32-2	8000	LZ32-2	A 1	3.15 (80)	2.82 (71.5)	.28 (7)	1.34 (34)
LZ32-3	8000	LZ32-3	A 3	3.15 (80)	2.82 (71.5)	.28 (7)	1.34 (34)
LZ23-2	3000	LZ23-2	A 1	3.64 (92.5)	3.25 (82.5)	.26 (6.5)	1.81 (46)
LZ23-3	3000	LZ23-3	A 3	3.64 (92.5)	3.25 (82.5)	.26 (6.5)	1.81 (46)
LZ30-5	9000	LZ30-5	A 2	4.69 (119)	4.14 (105)	.26 (6.5)	1.97 (50)
LZ30-6	9000	LZ30-6	A 4	4.69 (119)	4.14 (105)	.26 (6.5)	1.97 (50)
LZ30P	9000	LZ33-1	A 2	5.0 (127)	4.47 (113.5)	.26 (6.5)	1.97 (50)
LZ30-5	4000	LZ33-2	A 4	5.0 (127)	4.47 (113.5)	.26 (6.5)	1.97 (50)
LZ30-6	4000						
LZ30P	4000						
LZ33-1	5200						
LZ33-2	5200						
LZ33-1	5900						
LZ33-2	5900						



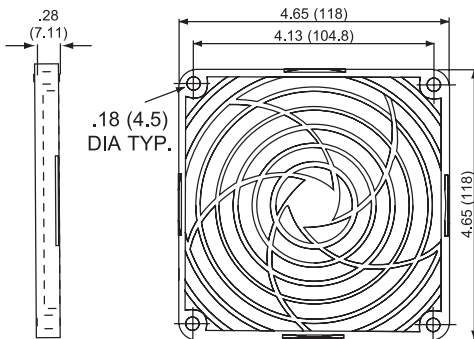
Screw connection



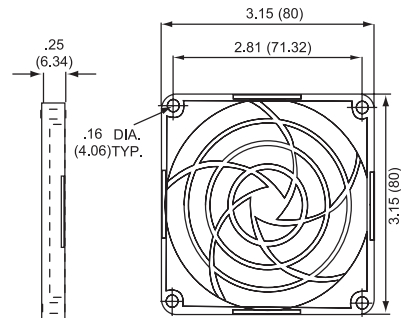
Barbed inserts



LZ30P



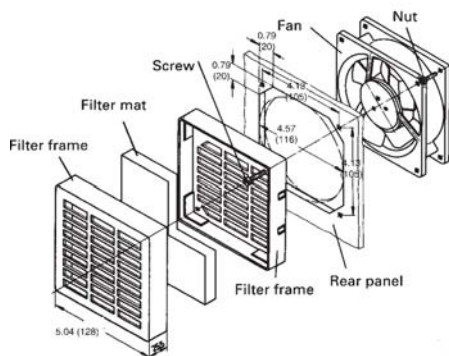
LZ32P



Part Number	Series
LZ212	8300
LZ260	8300
LZ261	8400
LZ212	3300
LZ260	3300
LZ210	9000
LZ40N	9000
LZ40-1	9000
LZ60	9000
LZ210	4000
LZ40N	4000
LZ40-1	4000
LZ60	4000
LZ212	4300
LZ260	4300
LZ210	5100
LZ210	5600
LZ210	5200
LZ210	5900
LZ210	7000
LZ370	VARIOFAN

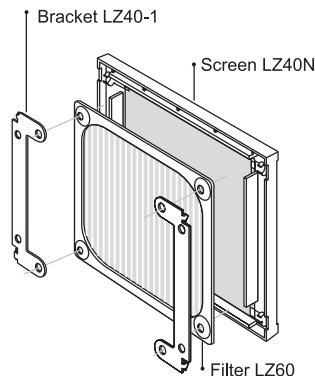
Filter Kit for 119mm fans

10016-1-5170	Grill Guard
10017-1-5170	Grill Guard and Filter
10018-1-5170	Grill Guard, Filter, Spacer



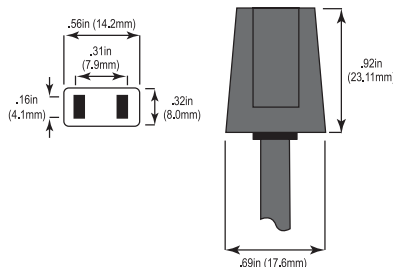
LZ 40N / LZ 40-1 / LZ 60

LZ40N of black, fiberglass reinforced plastic with inserted aluminium wire mess LZ60. Mounting with brackets LZ40-1.



LZ 120

Connecting cable with molded plug. (PVC, black).



Type	Cable Length in. (mm)	Pins
LZ120	24 (610)	.02 (.5)
LZ126	39.4 (1000)	.02 (.5)

Additional versions are available on special order

ebm Plug and Cord Sets

.110 x .02 inch (2.8 x .5 mm)

STRAIGHT CONNECTION

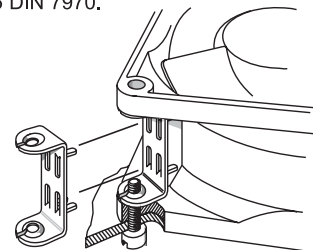
24 inch (610mm)	1434-4-6711
39 inch (1000mm)	1477-4-6711
79 inch (2000mm)	1505-4-6711

RIGHT ANGLE CONNECTION

24 inch (610mm)	1434-4-6711-1
36 inch (914mm)	1434-4-6711-3
80 inch (2032mm)	1434-4-6711-80

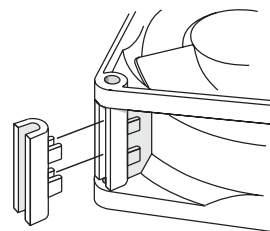
LZ 212

Screw clip of rust-resistant spring steel. For mounting fans with threaded pin 3.5 DIN 7970.



LZ 260 / LZ 261

Spacer of fiberglass reinforced plastic. For screw mounting over both fan and mounting flanges.



LZ 370

Temperature sensor for speed-controlled fan operation. Temperature range 30...50 C.



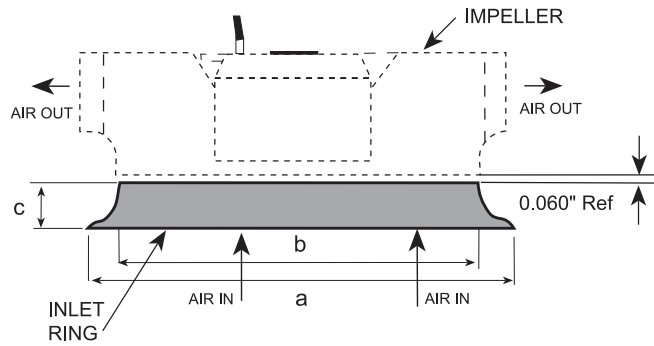
Required performance date:

R ₂₅	= 100 KΩ ±5%
B-value	= 4190 ± 2%
P _{max}	= 0,25 W

LZ 210

Screw clip of hardened steel. For mounting fans with threaded pin 6-32 UNC and/or 3.5 DIN 7970.

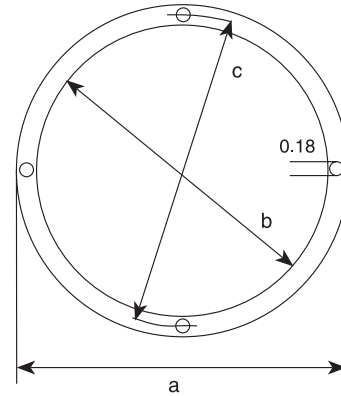




Part Number	Impeller Number	Mixed-Flo Number	Max. Dimensions (inches)		
			a	b	c
9566-2-4013	133		5.08 (129)	3.43 (87)	0.51 (13)
9588-2-4013	175, 180 & 190		7.28 (185)	5.12 (130)	0.67 (17)
9609-2-4013	220		9.96 (253)	6.10 (155)	0.79 (20)
9597-2-4013	R1G225 R4E225-AR R2E225-BB		8.27 (210)	5.87 (149)	1.10 (28)
9607-2-4013	R4S225 R4E225-AC 250		8.78 (223)	6.57 (167)	0.87 (22)
9614-2-4013	280		10.04 (255)	7.40 (188)	0.98 (25)
9621-2-4013	310		11.81 (300)	7.60 (193)	1.69 (43)
51357-2-4013	355		13.78 (350)	8.90 (226)	2.36 (60)
IR/265497	RH28M		10.43 (265)	7.09 (180)	1.69 (43)
IR/265498	RH31M		11.81 (300)	7.56 (192)	2.09 (53)
IR/265499	RH35M		13.19 (335)	8.98 (228)	2.28 (58)
IR/265500	RH40M	RM35D	14.72 (374)	10.12 (257)	2.60 (66)
IR/265501	RH45M	RM40D	15.94 (405)	11.38 (289)	2.80 (71)
IR/265502	RH50M	RM45D	17.72 (450)	12.80 (325)	3.11 (79)
IR/265503	RH56M	RM50D	19.88 (505)	14.33 (364)	3.43 (87)
IR/265504	RH63M	RM56D	22.05 (560)	16.14 (410)	3.74 (95)
IR/265505	RH71M		25.00 (635)	18.11 (460)	4.17 (106)

Part Number	Blower Wheel Size	Max. Dim.- in. (mm)		
		a	b	c
9489-2-4039	085	3.5 (90)	2.9 (74)	3.3 (84)
9485-2-4039	097	-	-	4.5 (114)
9490-2-4039	108	5.0 (126)	4.3 (110)	4.7 (118)
9494-2-4039	120	5.5 (140)	4.9 (124)	5.2 (132)
9500-2-4039	133	-	-	5.7 (145)
9492-2-4039	140/146	6.6 (168)	6.0 (152)	6.2 (158)
9503-2-4039	160	7.1 (180)	6.4 (162)	6.9 (175)
9493-2-4039	180	8.1 (205)	7.2 (183)	7.6 (194)

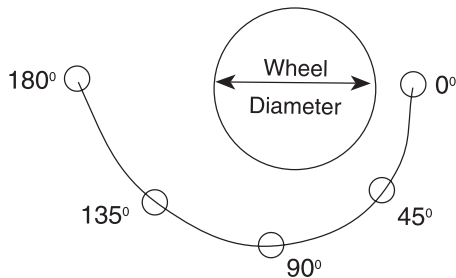
⌀ Dual inlet wire guard with three holes at 120



Material is galvanized wire.

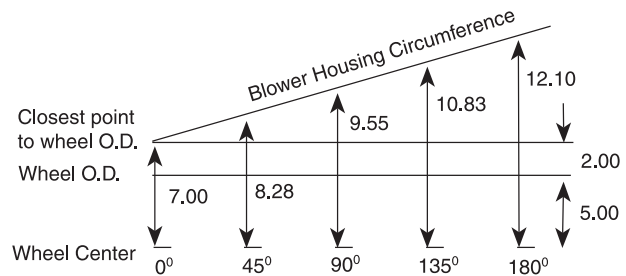
Technical Note on Scroll Housing

18° EXPANSION, FOR REFERENCE ONLY



Forward Curved Wheels use 6° - 12° expansion, 10° normal
 Backward Curved Wheel normally uses 18° half scroll
 MODIFY TO SUIT YOUR NEEDS

REFERENCE ONLY BASED ON A 10 INCH DIAMETER WHEEL



ANGLE AROUND WHEEL FROM STARTING POINT
 (a half scroll housing expands for approx. 180 degrees)
 NOTE: Expansion angle must always increase.

Accessories - Wiring Diagrams and Signals

Hall Effect Monitor

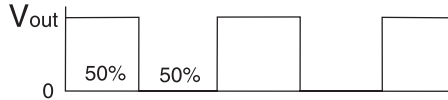
Selected ebm blowers ordered with this option monitor the speed of the blower with a device consisting of a magnet and solid state switch built into the motor. The output signal is a low voltage DC pulse train that can be incorporated into the end product to trigger an audible or visual alarm or to initiate an orderly system shutdown. This device is suited for telecommunications, computer, peripheral and copier applications, or others as required.

Hall Effect Monitor for AC Models



Input = 4.5 to 16 VDC; $T = 60/\text{RPM}$; $V_{out} \approx V$
Output Impedance = 4.7 K nominal.

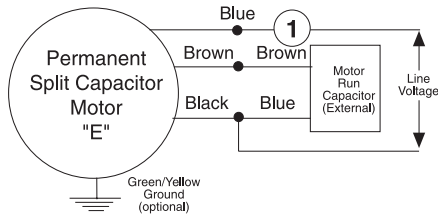
Hall Effect Monitor for Brushless DC Models



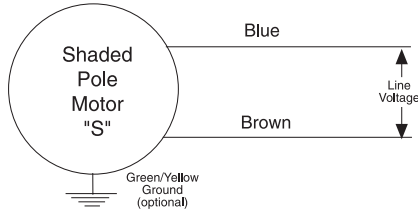
2 pulse / revolution $\ominus V_{out} \approx 5v$; Output current = 5mA max.

MOTOR WIRING DIAGRAMS

A. PSC "Type E" Motor

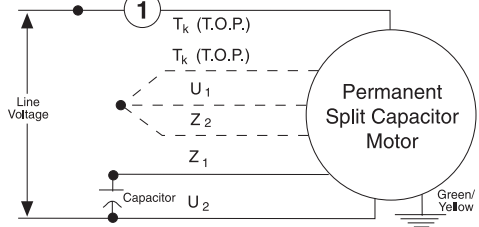


B. Shaded Pole Motor

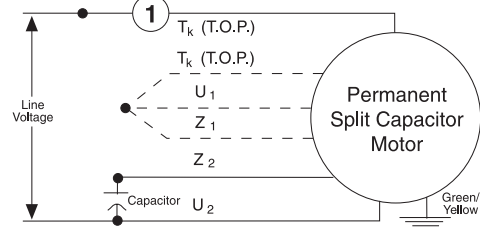


① An extra capacitor can be connected in series to yield lower RPM for multi-speed requirements

C. PSC Motor



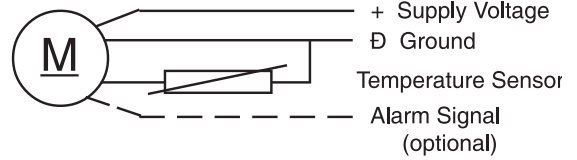
D. PSC Motor



Dotted lines not supplied on all designs

Accessories - Wiring Diagrams and Signals

VarioFans have Temperature Dependent Speed Control



Alarms & Connectors for ebm/Papst Tubeaxial Fans

Speed Sensor
 DC Fan with integrated sensor for externally speed monitoring

Alarm Circuit
 DC Fan with integrated alarm circuit for speed monitoring

Housing Reinforcement
 Fan housing with stiffening ribs. For mounting over both flanges

Alarm Signal
 DC Fan with integrated fan failure sensor

Connection Leads
 Electrical connection via 2 leads AWG 22, 310 mm long

Connector Design

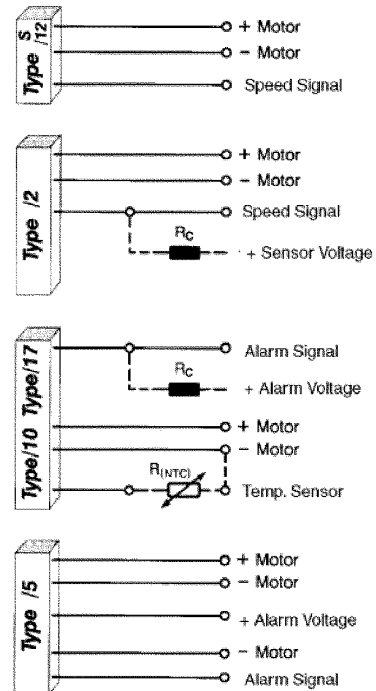
- Type 6 = 2,8 x 0,8 mm 6
- Type 8 = 2,8 x 0,5 mm 8
- Type 7 = 2,8 x 0,8 mm 7
- Type 9 = 2,8 x 0,5 mm 9

Characteristics of Fan Signals and Operation with different Alarm Signals

Speed Sensor Type: S, /2, /12
 These fans produce speed-proportional square-wave signals via an integrated sensor. This 'electronic' tachometer is used to monitor the fan speed.

Alarm Signal Type: /10
 These fans produce a continuous signal output when operating interference-free. When fan speed falls below 75 - 85% of the nominal speed, short low impulses are generated. The greater the fall below the alarm speed, the greater the low impulse width becomes. At rest there is a continuous low signal.

Alarm Switching Signal Type: /5, /17
 These fans produce speed-dependent, directly usable high/low square-wave signals via integrated alarm switching circuits.
 /5 models: Switching circuit is galvanically separated with a separate current supply.
 /17: Direct current supply via motor; the switching circuit is not separate.



Accessories - Capacitors

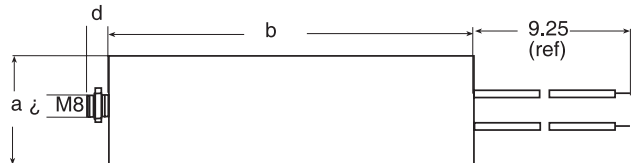
HOW TO USE CAPACITORS FOR MULTI-SPEED BLOWERS

It is possible to make any ebm blower with a PSC motor a multi-speed blower by adding a second or third capacitor on the load line (blue) at or near the value of the motor run capacitor. Actual capacitor value and RPM achieved are dependent on the nature of each application.

PLASTIC CAPACITORS

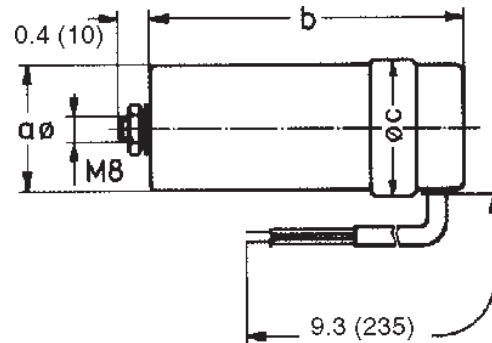
Part Number	Size (mfd)	Temp. Range (°C)	Max. Dim in. (mm)		
			a	b	d
02100-4-7320	1	-25 to +85	1.1 (28)	2.2 (55)	0.5 (12)
99282-4-7320	1.5	-25 to +85	1.1 (28)	2.2 (55)	0.5 (12)
99283-4-7320	2	-25 to +85	1.1 (28)	2.2 (55)	0.5 (12)
02103-4-7320	2.5	-25 to +85	1.1 (28)	2.2 (55)	0.5 (12)
02102-4-7320	3	-25 to +85	1.1 (28)	2.2 (55)	0.5 (12)
99284-4-7320	4	-25 to +85	1.3 (32)	2.2 (55)	0.5 (12)
02101-4-7320	5	-25 to +85	1.4 (36)	2.3 (58)	0.5 (12)
99285-4-7320	6	-25 to +85	1.4 (36)	2.8 (70)	0.5 (12)
99286-4-7320	8	-25 to +85	1.6 (40)	2.6 (67)	0.5 (12)
99287-4-7320	10	-25 to +85	1.6 (40)	2.8 (70)	0.5 (12)

(For larger sizes consult factory)



METAL CAPACITORS

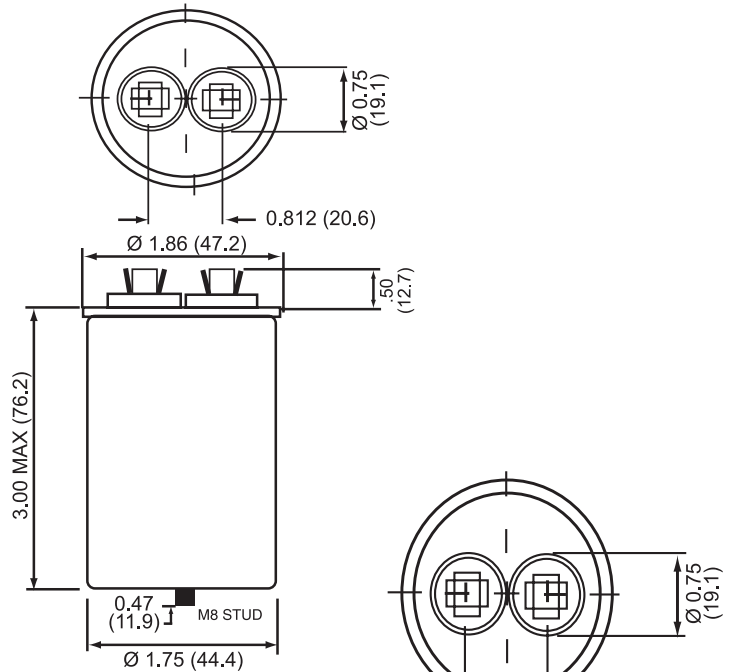
Part Number	Size (mfd)	Temp. Range (°C)	Max. Dim in (mm)		
			a	b	c
2151-4-7320	1	-25 to +85	1.0 (25)	2.9 (74)	1.1 (29)
2155-4-7320	1.5	-25 to +85	1.0 (25)	2.9 (74)	1.1 (29)
2156-4-7320	2	-25 to +85	1.0 (25)	2.9 (74)	1.1 (29)
2159-4-7320	2.5	-25 to +85	1.2 (30)	2.8 (71)	1.3 (34)
2160-4-7320	3	-25 to +85	1.2 (30)	3.9 (99)	1.3 (34)
2161-4-7320	4	-25 to +85	1.2 (30)	4.1 (104)	1.3 (34)
2162-4-7320	5	-25 to +85	1.4 (35)	4.1 (104)	1.5 (39)
2163-4-7320	6	-25 to +85	1.4 (35)	4.0 (101)	1.5 (38)
2164-4-7320	7	-25 to +85	1.6 (40)	4.0 (101)	1.7 (43)
2165-4-7320	8	-25 to +85	1.4 (35)	4.0 (101)	1.5 (38)
2166-4-7320	10	-25 to +85	1.4 (35)	3.9 (99)	1.5 (39)
2167-4-7320	12	-25 to +85	1.6 (40)	3.9 (99)	1.7 (43)
2168-4-7320	16	-25 to +75	1.8 (46)	6.3 (160)	1.9 (48)
2169-4-7320	20	-25 to +75	1.8 (46)	6.3 (160)	1.9 (48)
2170-4-7320	25	-25 to +75	1.8 (46)	6.3 (160)	1.9 (48)



Accessories - Metal Capacitors

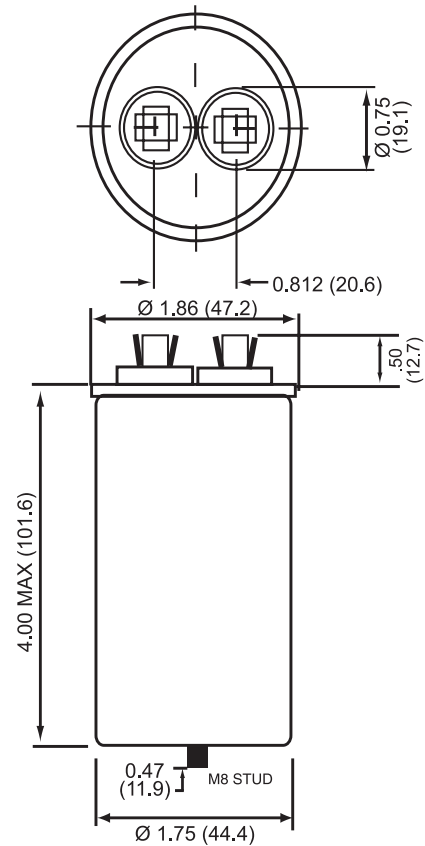
with UL, CSA and VDE Approvals

Part Number	Size (mfd)	Temp Range C
450-20-0017	1	-20 to +85
450-20-0018	1.5	-20 to +85
450-20-0019	2	-20 to +85
450-20-0020	2.5	-20 to +85
450-20-0021	3	-20 to +85
450-20-0022	4	-20 to +85
450-20-0023	5	-20 to +85
450-20-0024	6	-20 to +85
450-20-0025	7	-20 to +85
450-20-0026	8	-20 to +85
450-20-0027	10	-20 to +85
450-20-0028	12	-20 to +85



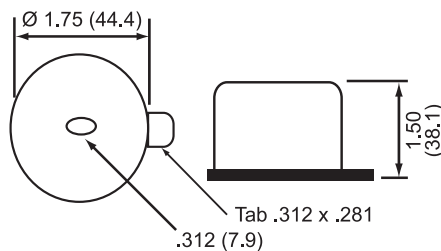
LARGER SIZE (see drawing)

Part Number	Size (mfd)	Temp Range C
450-20-0029	16	-20 to +85
450-20-0030	20	-20 to +85
450-20-0031	25	-20 to +85
450-20-0033	30	-20 to +85
450-20-0034	40	-20 to +85



Part Number for Boot	710-00-0042
----------------------	-------------

Boot Dimensions



* UL File # for capacitors E133000(N)
 CSA File # for capacitors LR96263
 UL File # for Boot SA6016(N)

Accessories - EC Remote Drive And Control Unit

Part Numbers:

CHW050-AA01-70

CHW050-AA01-71

RATINGS:

100-120 VAC, 50/60 Hz, 250 W input

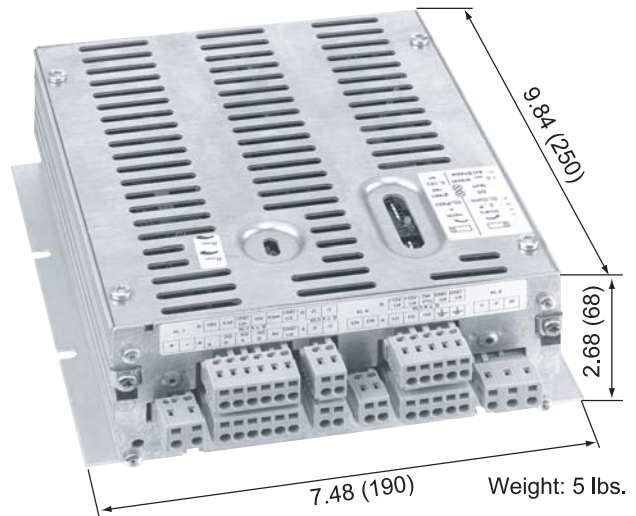
200-277 VAC, 50/60 Hz, 500 W input

2.4 A

Power Factor: >0.98 at 500 W

Leakage Current: 10 mA

Maximum ambient temperature: 40° C



STANDARDS:

UL508C

EN50081-1

EN50082-2

DIN EN61000-3-2

Power Conversion Equipment file # E208140

RFI Emissions

RFI Susceptibility

Harmonics

Standard features with CHW050-AA01-71:

Digital ebm BUS interface

Green power ON indicator LED

Red ALARM indicator LED

Alarm relay NC

Alarm relay NO

Temperature and locked rotor
protection

Short circuit protection

Limited ground fault protection

Cage clamp connector included

Additional features with CHW050-AA01-70:

Open collector tach Output (3 pulses/rev.)

0-10 V external sensor input

0-10 V control input

Enable input

Potentiometers for MIN and MAX settings

10 VDC / 20 mA stabilized power supply

18 VDC / 25 mA non-stabilized power supply

Available Accessories:

25711-2-0199

21487-1-0174

25710-1-0174

Application software LISA

Transceiver RS232 / RS485

Repeater RS485

ebmpapst

e-mail: sales@us.ebmpapst.com · TEL: 860-674-1515 · FAX: 860-674-8536

ebm-papst Inc., 100 Hyde Road, Farmington, CT 06034 USA

ebm-papst Inc., 2004 © ebm-papst Inc. reserves the right to change any specifications or data without notice