

Image not available

Series image - Reference only

EU RoHS

**ELV and RoHS Compliant**

China RoHS



**Search Parts in this Series**  
84700 Series

**Part Number: 0847000005**

**Status: Active - Custom**

**Description:** RJ-45 FEM, BLUKHEAD, MALE PLUG

**Material Info**

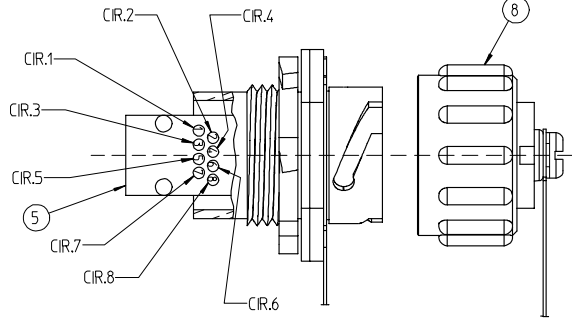
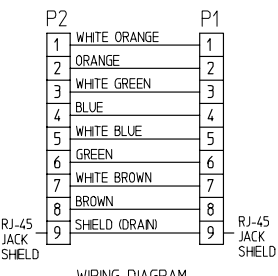
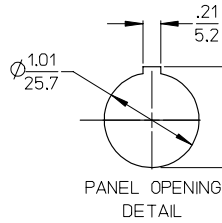
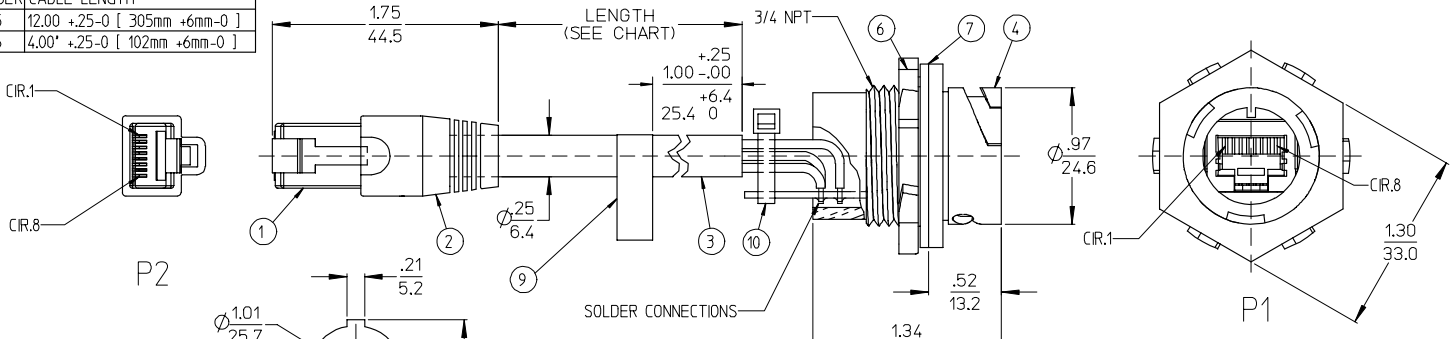
Product Family  
Series

Molex Parts  
84700

## Material Info

84700

PART NUMBER	CABLE LENGTH
847000005	12.00 +.25-0 [ 305mm +6mm-0 ]
847000006	4.00' +.25-0 [ 102mm +6mm-0 ]



- NOTES:
1. MATERIAL: SEE TABLE
  2. PRODUCT SPECIFICATIONS: PPS.84.003
  4. PACKAGING: ASSEMBLIES ARE TO BE PACKED IN CLEAN POLY BAG.
  5. MATES WITH RJ-45 CUSTOMER SPECIFIC PART
  6. MARKING: PART NUMBER, LATEST REVISION, MANUFACTURER AND DATE CODE.
  7. SHIELDS ARE TERMINATED TO METAL CONNECTOR SHELL.
  8. CABLE IS MANUFACTURED WITH UL AND CSA COMPLIANT PARTS.
  9. PCB ASSEMBLY PUSHOUT: 20 LBS. MIN.
  10. ASSEMBLY IS MADE FROM RoHS COMPLIANT PARTS.

ITEM	QTY.	DESCRIPTION	MATERIAL	FINISH
10	1	CABLE TIE	NYLON	WHITE
9	1	LABEL	MYLAR	BLACK/CHROME
8	1	DUST COVER & TETHER	POLYESTER	BLACK
7	1	PANEL GASKET	NEOPRENE	BLACK
6	1	PANEL LOCKNUT	STEEL	ZINC PLATED
5	1	PCB ASSEMBLY	PURCHASED ASSY.	VENDOR SPEC.
4	1	RECEPTACLE MOLDED	POLYESTER	BLACK
3	1	CABLE, CAT 5E, 24 AWG	PVC JACKET	GRAY (D2)
2	1	SLIDING SLEEVE	POLYOLEFIN	BLACK
1	1	RJ-45 PLUG SHIELDED	PURCHASED ASSY.	VENDOR SPEC.

CHANGE CABLE COLOR WAS BLACK  
 ELC NO: EITC2008-0062  
 DRAWN: ENCINAS 2007/09/24  
 CHKD: ENCINAS 2007/09/25  
 APPR: JMACIELL 2007/09/25

QUALITY SYMBOLS  
 ▽=0  
 ▽=0

GENERAL TOLERANCES (UNLESS SPECIFIED)	
	INCH
4 PLACES	± .005
3 PLACES	± .004
2 PLACES	± .003
1 PLACE	± .002
ANGULAR ±1/2°	

DIMENSION STYLE	
IN/MM	
DRAWN BY	R. STONE
DATE	2003/11/26
CHECKED BY	R. KEMP
DATE	2003/12/29
APPROVED BY	P. WALTZ
DATE	2003/12/29

SCALE	DESIGN UNITS	THIRD ANGLE PROJECTION	TITLE
1.5:1	INCH	☉	DBL. ENDED FEMALE RJ-45 BULKHEAD, 8/C, CAT 5E MALE PLUG, SLIDING SLEEVE
MATERIAL NO.		DOCUMENT NO.	MOLEX INCORPORATED
SEE CHART		SD-84700-004	STEEL NO. 1 OF 1

10\_Frame\_B\_P\_VIE\_T Rev. D 2004/04/02