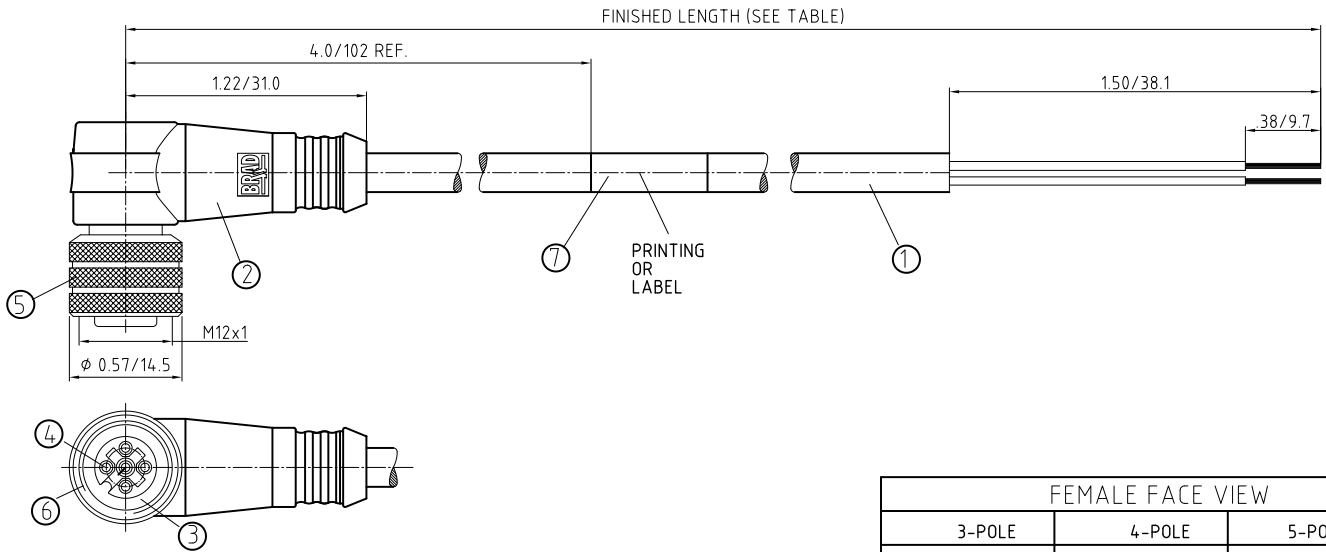
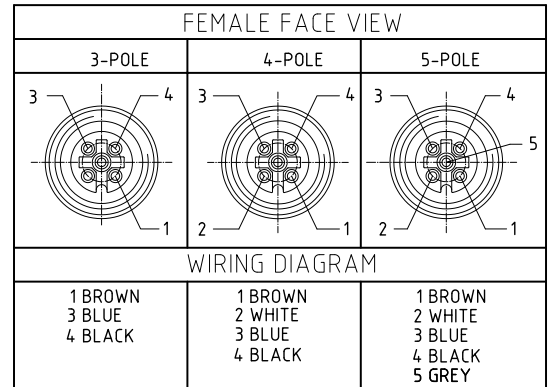


10 9 8 7 6 5 4 3 2 1



CONNECTOR SPECIFICATION:

VOLTAGE RATING	250 VAC/VDC
AMPERAGE RATING	max. 4 AMPS
PROTECTION	IP67
OPERATING TEMPERATURE	-20°C TO 105°C
UL CERTIFICATIONS	UL RECOGNIZED, FILE NO. E152210
ASSEMBLY IS	RoHS COMPLIANT



ITEM	COMPONENT	MATERIAL	FINISH
7	LABLE	MYLAR	BLACK/YELLOW
6	O-RING	VITON	RED
5	COUPLER	BRASS	NICKEL PLATED
4	PIN CONTACT	COPPER ALLOY	GOLD OVER NICKEL
3	INSERT	NYLON	BLACK
2	OVERMOLD	POLYURETHANE (PUR)	YELLOW
1	CABLE- 22/3-5 (COPPER STRANDING) 3/4/5 CONDUCT. 300V	JACKET: PVC	JACKET: YELLOW

DESCRIPTION EC NO: WEU/2010/0281 DRAWN: LSTEMME 2010/01/13 CHKD: NS APPR: INSTAUDIG 2010/01/25 REV: 1	QUALITY SYMBOLS	GENERAL TOLERANCES (UNLESS SPECIFIED)	DIMENSION STYLE	SCALE	DESIGN UNITS	THIRD ANGLE PROJECTION																														
	$\nabla = 0$ $\sphericalangle = 0$	<table border="1"> <tr> <th></th> <th>mm</th> <th>INCH</th> </tr> <tr> <td>4 PLACES</td> <td>±---</td> <td>±---</td> </tr> <tr> <td>3 PLACES</td> <td>±---</td> <td>±---</td> </tr> <tr> <td>2 PLACES</td> <td>±---</td> <td>±.01</td> </tr> <tr> <td>1 PLACE</td> <td>±0.3</td> <td>±---</td> </tr> <tr> <td>ANGULAR</td> <td>±---</td> <td>°</td> </tr> </table>		mm	INCH	4 PLACES	±---	±---	3 PLACES	±---	±---	2 PLACES	±---	±.01	1 PLACE	±0.3	±---	ANGULAR	±---	°	<table border="1"> <tr> <th colspan="2">IN/MM</th> </tr> <tr> <td>DRAWN BY</td> <td>DATE</td> </tr> <tr> <td>CHECKED BY</td> <td>DATE</td> </tr> <tr> <td>RE</td> <td>2010/01/21</td> </tr> <tr> <td>APPROVED BY</td> <td>DATE</td> </tr> <tr> <td>NSTAUDIG</td> <td>2010/01/25</td> </tr> </table>	IN/MM		DRAWN BY	DATE	CHECKED BY	DATE	RE	2010/01/21	APPROVED BY	DATE	NSTAUDIG	2010/01/25	2:1	METRIC	
		mm	INCH																																	
	4 PLACES	±---	±---																																	
3 PLACES	±---	±---																																		
2 PLACES	±---	±.01																																		
1 PLACE	±0.3	±---																																		
ANGULAR	±---	°																																		
IN/MM																																				
DRAWN BY	DATE																																			
CHECKED BY	DATE																																			
RE	2010/01/21																																			
APPROVED BY	DATE																																			
NSTAUDIG	2010/01/25																																			
DRAFT WHERE APPLICABLE MUST REMAIN WITHIN DIMENSIONS		SEE TABLE SHEET 2 SIZE A3	MATERIAL NO. DOCUMENT NO.	MICRO-CHANGE CORDSET 3/4/5-POL FEMALE 90 SE 22/3-5 YELLOW PVC CABLE MOLEX INCORPORATED SD-120065-027																																
		THIS DRAWING CONTAINS INFORMATION THAT IS PROPRIETARY TO MOLEX INCORPORATED AND SHOULD NOT BE USED WITHOUT WRITTEN PERMISSION		SHEET NO. 1 OF 1																																


10 9 8 7 6 5 4 3 2 1

10 | 9 | 8 | 7 | 6 | 5 | 4 | 3 | 2 | 1

POL	MATERIAL NUMBER	ENGINEERING NUMBER	FINISHED LENGTH
3	1200651444	803001A09M020	6.56' +3.5" -0 [2.0M +89 -0]

POL	MATERIAL NUMBER	ENGINEERING NUMBER	FINISHED LENGTH
4	1200651551	804001A09M020	6.56' +3.5" -0 [2.0M +89 -0]
4	1200651555	804001A09M040	13.12' +6.5" -0 [4.0M +165 -0]
4	1200651558	804001A09M050	16.40' +6.5" -0 [5.0M +165 -0]
4	1200651562	804001A09M060	19.69' +6.5" -0 [6.0M +165 -0]
4	1200651567	804001A09M100	32.81' +12.5" -0 [10.0M +318 -0]

POL	MATERIAL NUMBER	ENGINEERING NUMBER	FINISHED LENGTH
5	1200651697	805001A09M020	6.56' +3.5" -0 [2.0M +89 -0]
5	1200651700	805001A09M040	13.12' +6.5" -0 [4.0M +165 -0]
5	1200651701	805001A09M050	16.40' +6.5" -0 [5.0M +165 -0]
5	1200651703	805001A09M060	19.69' +6.5" -0 [6.0M +165 -0]
5	1200651706	805001A09M100	32.81' +12.5" -0 [10.0M +318 -0]

DESCRIPTION EC NO. WEI/2010/0281 DRAWN/ISSUE/REV CHKD/NS APPR./INSTA/JDG 2010/01/25 1	QUALITY SYMBOLS	GENERAL TOLERANCES (UNLESS SPECIFIED)	DIMENSION STYLE	SCALE	DESIGN UNITS	THIRD ANGLE PROJECTION
	▽ = 0	mm INCH	IN/MM	2:1	METRIC	
	▽/C = 0	4 PLACES ±--- ±--- 3 PLACES ±--- ±--- 2 PLACES ±--- ±01 1 PLACE ±0.3 ±--- ANGULAR ± --- °	DRAWN BY DATE RE 2010/01/21	MICRO-CHANGE CORDSET 3/4/5-POL FEMALE 90 SE 22/3-5 YELLOW PVC CABLE		
		DRAFT WHERE APPLICABLE MUST REMAIN WITHIN DIMENSIONS	APPROVED BY DATE NSTAUDIG 2010/01/25	 <b>MOLEX INCORPORATED</b> MATERIAL NO. SEE TABLE DOCUMENT NO. SD-120065-027 SHEET NO. 1 OF 1		
			THIS DRAWING CONTAINS INFORMATION THAT IS PROPRIETARY TO MOLEX INCORPORATED AND SHOULD NOT BE USED WITHOUT WRITTEN PERMISSION			

10 | 9 | 8 | 7 | 6 | 5 | 4 | 3 | 2 | 1