

Series image - Reference only

EU RoHS

ELV and RoHS Compliant

China RoHS



Search Parts in this Series

88759 Series

Part Number: **0887685300**

Status: **Active** **Overview:** **DMS-59®**

Description: 1.27mm (.050") Pitch DMS-59® to Two DVI-I Adapters Cable Assembly, 0.20m (7.87") Length

General

Product Family	Cable Assemblies
Series	<u>88759</u>
Connector to Connector	DMS-59™ to DVI-I
Overview	<u>DMS-59®</u>
Product Name	DMS59®

Physical

Cable Length	0.20m (7.87")
Circuits (Loaded)	59
Color - Resin	Black (D2)
Color - Resin	Natural
Gender	Male-Female
Lock to Mating Part	Yes
Material - Metal	Aluminum
Material - Metal	Phosphor Bronze
Material - Metal	Steel
Material - Plating Mating	Gold
Material - Plating Mating	n/a
Material - Plating Termination	Tin
Material - Resin	High Temperature Thermoplastic
Packaging Type	Bag
Pitch - Mating Interface (in)	0.050 In
Pitch - Mating Interface (mm)	1.27 mm
Plating min: Mating (uin)	2
Plating min: Mating (uin)	30

Plating min: Mating (uin)	75
Plating min: Mating (um)	0.05
Plating min: Mating (um)	0.75
Plating min: Mating (um)	1.875
Plating min: Termination (uin)	100
Plating min: Termination (uin)	150
Plating min: Termination (um)	2.5
Plating min: Termination (um)	3.75
Single Ended	No
Termination Interface: Style	N/A
Termination Interface: Style	Through Hole
Wire Insulation Diameter	N/A
Wire Size AWG	32
Wire/Cable Type	Round

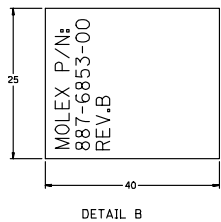
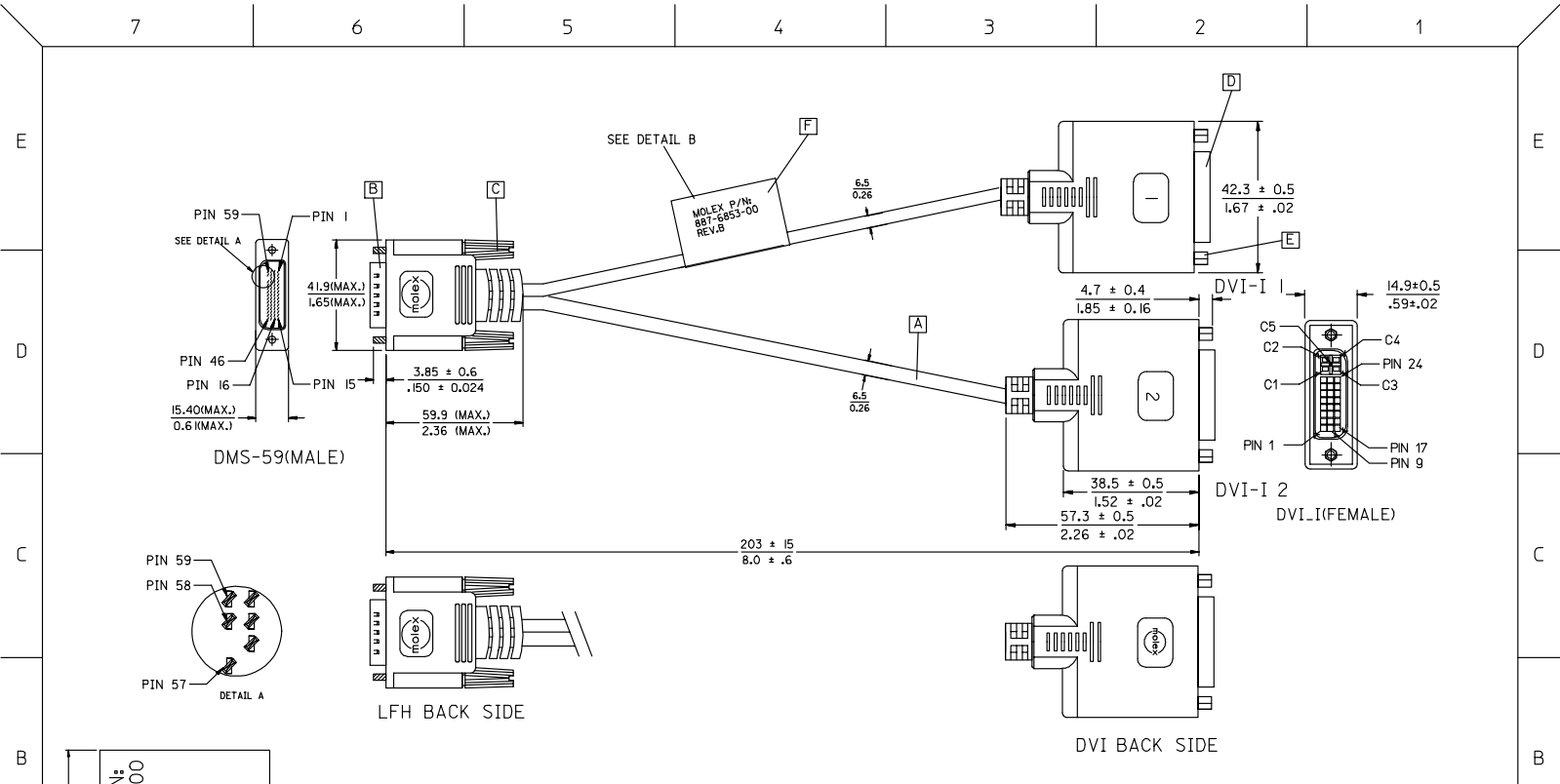
Electrical

Current - Maximum	1.000 Amp
Impedance	100 ohms
Shielded	Yes
Voltage - Maximum	30VAC

Material Info

Reference - Drawing Numbers

Product Specification	PS-88768-5300
Sales Drawing	SD-88744-097



ENTER DESCRIPTION EC NO: DG2006-0186 DRWN/PDAI CHYD: APPR: KAN 2006/03/09 2006/03/09 2006/03/10	DESCRIPTION REV	QUALITY SYMBOLS	GENERAL TOLERANCES (UNLESS SPECIFIED)		DIMENSION STYLE	SCALE	DESIGN UNITS	THIRD ANGLE PROJECTION	
		$\nabla=0$ $\nabla=0$	mm	INCH	MM/IN	---	METRIC		
		4 PLACES	±---	±---	PDAI	DATE	TITLE		
		3 PLACES	±---	±---	CHECKED BY	DATE	DMS59(M) TO TWO DVI-I(F) ADAPTER CABLE		
2 PLACES	±---	±---	APPROVED BY	DATE	MOLEX INCORPORATED				
1 PLACE	±---	±---	BORON	2006/03/07	MATERIAL NO. 887685300				
DRAFT WHERE APPLICABLE MUST REMAIN WITHIN DIMENSIONS			DOCUMENT NO. SD-88744-097		SHEET NO. 1 OF 2		THIS DRAWING CONTAINS INFORMATION THAT IS PROPRIETARY TO MOLEX INCORPORATED AND SHOULD NOT BE USED WITHOUT WRITTEN PERMISSION		

ib_frame_A4_P_ME_T
Rev. D 2004/04/02

7 6 5 4 3 2 1

CONNECTION DIAGRAM:

SHIELD	SHIELD	GROUND
C5	PIN 1,4&59	GROUND (RED, BLUE, GREEN)
C4	PIN 56	VGA1_HSYNC
C3	PIN 3	VGA1_BLUE
C2	PIN 58	VGA1_GREEN
C1	PIN 2	VGA1_RED
PIN 24	PIN 32	DVII_TXC-
PIN 23	PIN 31	DVII_TXC+
PIN 22	PIN 57	DVII_TXC RTN
PIN 19	PIN 33	DVII_TX0 RTN
PIN 18	PIN 29	DVII_TX0+
PIN 17	PIN 30	DVII_TX0-
PIN 16	PIN 36	DVII_HPD
PIN 15	PIN 54	SYNCS
PIN 14	PIN 5	+5V
PIN 11	PIN 34	DVII_TX1 RTN
PIN 10	PIN 27	DVII_TX1+
PIN 9	PIN 28	DVII_TX1-
PIN 8	PIN 55	VGA1_VSYNC
PIN 7	PIN 7	DVII_COC_DATA
PIN 6	PIN 6	DVII_COC_CLOCK
PIN 3	PIN 35	DVII_TX2 RTN
PIN 2	PIN 25	DVII_TX2+
PIN 1	PIN 26	DVII_TX2-
DVI 1	DMS-59	CABLE FUNCTION

SHIELD	SHIELD	GROUND
C5	PIN 12,15&46	GROUND (BLUE, RED, GREEN)
C4	PIN 50	VGA2_HSYNC
C3	PIN 13	VGA2_BLUE
C2	PIN 47	VGA2_GREEN
C1	PIN 14	VGA2_RED
PIN 24	PIN 44	DVI2_TXC-
PIN 23	PIN 45	DVI2_TXC+
PIN 22	PIN 49	DVI2_TXC RTN
PIN 19	PIN 43	DVI2_TX0 RTN
PIN 18	PIN 16	DVI2_TX0+
PIN 17	PIN 17	DVI2_TX0-
PIN 16	PIN 40	DVI2_HPD
PIN 15	PIN 52	SYNCS
PIN 14	PIN 11	+5V
PIN 11	PIN 42	DVI2_TX1 RTN
PIN 10	PIN 18	DVI2_TX1+
PIN 9	PIN 19	DVI2_TX1-
PIN 8	PIN 51	VGA2_VSYNC
PIN 7	PIN 9	DVI2_COC_DATA
PIN 6	PIN 10	DVI2_COC_CLOCK
PIN 3	PIN 41	DVI2_TX2 RTN
PIN 2	PIN 20	DVI2_TX2+
PIN 1	PIN 21	DVI2_TX2-
DVI 2	DMS-59	CABLE FUNCTION

NOTE: I. OVERMOLD SPECIFICATION

- 1.1 DMS-59 BOOT MOLDED WITH SNOW WHITE PVC RESIN, UL94V-0.
- 1.2 DVI BOOT MOLDED WITH SNOW WHITE PVC RESIN, UL94V-0.
2. MECHANICAL SPECIFICATION
 - ▽ 2.1 CABLE SHOULD STAND THE PULL FORCE 89-11IN FOR 30 SECONDS WITH NO VISIBLE TERMINATION DAMAGE.
 - 2.2 CABLE SHOULD PASS THE FLEX TEST IN 100 CYCLES AT EACH OF PLANES, PER EIA 364-41, CONDITION I.
3. CABLE ASSEMBLY ELECTRICAL SPECIFICATION
 - ▽ 3.1 HI-POT VOLTAGE: 300VDC FOR 10ms.
 - ▽ 3.2 INSULATION RESISTANCE: 20 MEGA Ohms(MIN.)
 - ▽ 3.3 CONTACT RESISTANCE: 2 Ohms(MAX.)
 - ▽ 3.4 DIFFERENTIAL LINES CHARACTERISTIC IMPEDANCE: 100±7 Ohms @TDR 200 PSEC RISETIME.
 - ▽ 3.5 COAXIAL LINES CHARACTERISTIC IMPEDANCE: 75±10% Ohms @TDR 200 PSEC RISETIME.
- 3.6 WRAP COPPER TAPE OVER BRAID, THEN CRIMP THE METAL CAN ON COPPER TAPE WITH 360°.
4. CONNECTOR PLATING: AU FLASH PLATE.
5. SCREW SPEC.: 4-40 UNC.

F	LABEL	1
E	DVI(F) JACK SCREW 4-40 UNC	4
D	DVI_I FEMALE CONNECTOR	2
C	LFH SCREW 4-40 UNC	2
B	DMS-59 PLUG ASSY(NATURE)	1
A	DVI-A/D CABLE	2
ITEM	DESCRIPTION	QTY.

ENTER DESCRIPTION EC NO: DG2006-0186 DRWN:PDAI CHYD: APPR:KAN 2006/03/09 2006/03/10	QUALITY SYMBOLS ▽=0 ▽=0	GENERAL TOLERANCES (UNLESS SPECIFIED)		DIMENSION STYLE	SCALE	DESIGN UNITS	THIRD ANGLE PROJECTION	
				MM/IN	---	METRIC		
		4 PLACES	±---	±---	DRAWN BY	DATE	TITLE	
		3 PLACES	±---	±---	PDAI	2006/03/07	DMS59(M) TO TWO DVI-I(F) ADAPTER CABLE	
2 PLACES	±---	±---	CHECKED BY	DATE	MATERIAL NO.			
1 PLACE	±---	±---	ZXDENG	2006/03/07	BORON 2006/03/07			
ANGULAR ±---°		APPROVED BY		DATE	DOCUMENT NO.		SHEET NO.	
DRAFT WHERE APPLICABLE MUST REMAIN WITHIN DIMENSIONS		BORON		2006/03/07	SD-88744-097		2 OF 2	
		SIZE		THIS DRAWING CONTAINS INFORMATION THAT IS PROPRIETARY TO MOLEX INCORPORATED AND SHOULD NOT BE USED WITHOUT WRITTEN PERMISSION				
		A4						

ib_frame_A4_P_ME_T
Rev. D 2004/04/02

6 5 4 3 2 1

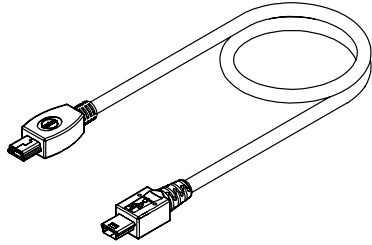
Universal Serial Bus (USB) On-The-Go (OTG) Shielded I/O Cable Assembly

88732

Standard USB A to Mini B

88753

Mini A to Mini B



Features and Benefits

- Approximately 1/8 the size of standard USB-B connectors
- Connector-to-connector polarization ensures proper mating
- Full shield provides EMI/RFI protection
- Meets USB 2.0 specifications
- Compact and lightweight design meets various portable and mobile equipment needs
- Rugged durability up to 5,000 cycles
- Other cable lengths and custom designs available

Reference Information

Product Specification: PS-87525
Packaging: Bag or custom-specified
Mates With: USB A, Mini AB and Mini B receptacle
Designed In: Millimeters

Electrical

Voltage: 30V
Current: 1.0A
Contact Resistance: 50 milliohms max.
Dielectric Withstanding Voltage: 100V AC/min.
Insulation Resistance: 100 Megohms min.

Mechanical

Mating Force: 35N max.
Unmating Force: 10N min.
Durability: USB A—1500 cycles
Mini A and Mini B—5000 cycles

Physical

Contact: Copper Alloy
Plating: Contact Area—0.75µm (30µ") min. Gold
Underplating: Nickel
Wire Gauge: 28 AWG
Operating Temperature: 0 to +50°C

Cable Assembly Lengths (mm)	Order No.	Description	Lead-free
800 White	88732-8510	USB A to Mini B, USB 1.1	Yes
800 Black	88732-8512		
1000 White	88732-8610		
1000 Black	88732-8612		
1500 White	88732-8710		
1500 Black	88732-8712		
1800 White	88732-8810		
1800 Black	88732-8812		
2000 White	88732-8910		
2000 Black	88732-8912		
800 White	88732-8500	USB A to Mini B, USB 2.0	Yes
800 Black	88732-8502		
1000 White	88732-8600		
1000 Black	88732-8602		
1500 White	88732-8700		
1500 Black	88732-8702		
1800 White	88732-8800		
1800 Black	88732-8802		
2000 White	88732-8900		
2000 Black	88732-8902		

Cable Assembly Lengths (mm)	Order No.	Description	Lead-free
800 White	88753-8110	USB Mini A to Mini B, USB 1.1	Yes
1000 White	88753-8210		
1200 White	88753-8310		
1500 White	88753-8410		
1800 White	88753-8510		
2000 White	88753-8610		
800 White	88753-8100	USB Mini A to Mini B, USB 2.0	Yes
800 Black	88753-8102		
1000 White	88753-8200		
1000 Black	88753-8202		
1200 White	88753-8300		
1200 Black	88753-8302		
1500 White	88753-8400		
1500 Black	88753-8402		
1800 White	88753-8500		
1800 Black	88753-8502		
2000 White	88753-8600		
2000 Black	88753-8602		

I/O Products

N

DMS-59™ Shielded I/O Cable Assembly

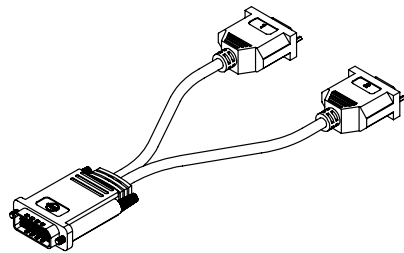
88759

DMS-59 To Dual VGA

DMS-59 To VGA/DVI Analog

DMS-59 To Dual DVI Analog

DMS-59 To Dual DVI Digital



Features and Benefits

- Keyed (void pin number 58) to ensure exclusive mating of receptacle with DMS-59 cable assemblies
- Proven LFH™ (Low Force Helix) high-cycle contact interface system for reliable system life
- Cable assemblies are available in a variety of lengths and configurations

Reference Information

Product Specification: PS-88768-5300
Packaging: Bag
Mates With: DMS-59 receptacle
Designed In: Millimeters

Electrical

Voltage: 30V
Current: 1.0A
Contact Resistance: 50 milliohms max.
Dielectric Withstanding Voltage: 500V DC
Insulation Resistance: 100 Megohms min.

Mechanical

Insertion Force: 53N max.
Withdraw Force: 22N min.
Durability: 5000 cycles

Physical

Housing: White glass-filled LCP, UL 94V-0
Contact: Copper Alloy
Plating: Contact Area—0.75µm (30µ") min. Gold
Underplating: Nickel
Wire Gauge: 30 AWG
Operating Temperature: 0 to +80°C

Cable Length (mm)	Order No.	Cable Assembly Description	Lead-free
200	88768-5200	DMS-59-Male to Two VGA-Female Cable Assembly	Yes
	88768-5300	DMS-59-Male to Two DVI-I-Female Cable Assembly	
	88768-5400	DMS-59-Male to VGA-Female + DVI-I-Female Cable Assembly	
2000	88768-5500	DMS-59-Male to Two DVI-D-Male Single Link Cable Assembly	
3000	88768-5510		



MX07 N-49