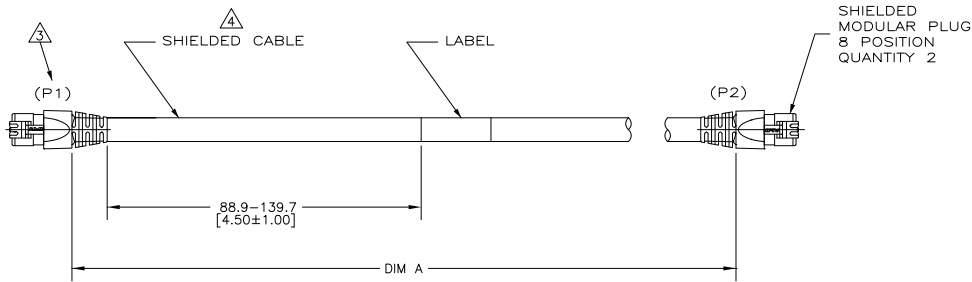
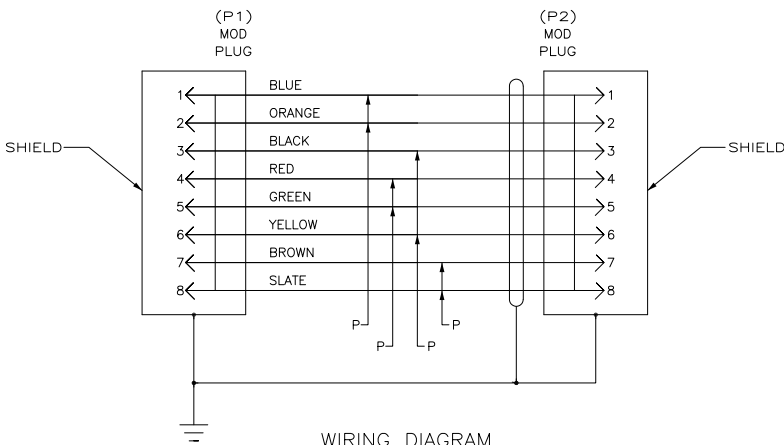


THIS DRAWING IS UNPUBLISHED. RELEASED FOR PUBLICATION. ALL RIGHTS RESERVED.

LOC	DIST	REVISIONS			
F	LNK	DESCRIPTION	DATE	BY	APPD
EH	00				
	G1	REVISED PER ECO-11-005033	22MAR11	RK	HMR



- ONE CABLE PACKAGED IN A CLEAR POLYBAG.
- DIMENSIONS ARE MAXIMUM UNLESS OTHERWISE SPECIFIED.
- DESIGNATIONS IN PARENTHESES () ARE FOR REFERENCE ONLY.
- CABLE: SHIELDED 26 AWG, 4 TWISTED PAIRS AND 1 DRAIN WIRE 7/32 STRANDED CONDUCTORS, 100 OHMS, CATEGORY 5.
- ALTERNATIVE COLOR CODE FOR CABLE WITH DIFFERENT COLOR CONDUCTORS MAY BE USED.
 - WHT/GRN, 2. GRN, 3. WHT/ORG, 4. BLU, 5. WHT/BLU, 6. ORG, 7. WHT/BRN, 8. BRN



WIRING DIAGRAM 568A

1	12.00-15.00	1-557827-1
50	600.00-604.00	1-557827-0
75	900.00-904.00	557827-9
10	120.00-123.00	557827-8
20	240.00-244.00	557827-7
16	192.00-196.00	557827-6
12	144.00-147.00	557827-5
8	96.00-99.00	557827-4
6	72.00-75.00	557827-3
4	48.00-51.00	557827-2
2	24.00-27.00	557827-1
FEET (REF)		PART NO

DIMENSIONS		TOLERANCES UNLESS OTHERWISE SPECIFIED		FINISH	
mm	[INCHES]				
0	PLC	±	°		
1	PLC	±	°		
2	PLC	±	°		
3	PLC	±	°		
4	PLC	±	°		
	ANGLES	±	°		

THIS DRAWING IS A CONTROLLED DOCUMENT.		DRN	L. HALL	21MAY03
		CHK	M. DELPHIAS	21MAY03
		APPD	M. DELPHIAS	21MAY03
		NAME	CABLE ASSEMBLY, STRANDED & SHIELDED, MOD PLUG, 8 POSITION, CATEGORY 5	
		APPLICATION SPEC		
		SIZE	A2	CAGE CODE
		DRAWING NO	C=557827	
		RESTRICTED TO	-	
MATERIAL		FINISH		
CUSTOMER DRAWING		SCALE	NTS	SHEET 1 of 1