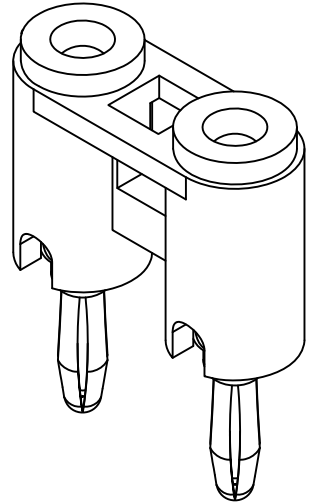
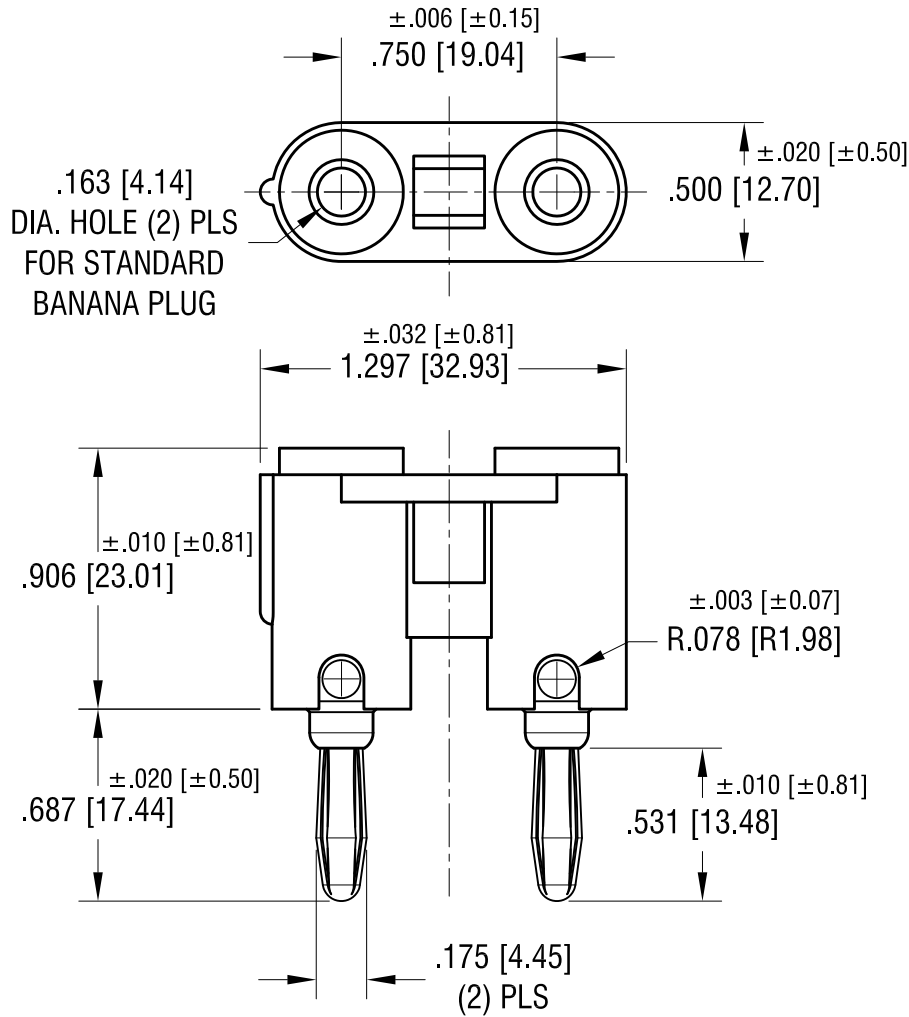


THIS DOCUMENT IS THE PROPERTY OF
KEYSTONE ELECTRONICS CORP. AND
SHALL NOT BE REPRODUCED, DISTRIBUTED
OR USED AS A BASIS FOR MANUFACTURE
WITHOUT PRIOR WRITTEN PERMISSION
FROM KEYSTONE ELECTRONICS CORP.



NOTES:

- 1. SPRING: MAT'L - NICKEL SILVER
- BODY: MAT'L - BRASS
- FINISH - NICKEL PLATE
- HANDLE: MAT'L - NYLON

| PART NO. | COLOR |
|----------|-------|
| 6088 | RED |
| 6089 | BLACK |

| | | | |
|---|---------------------------|------------------|------------------|
| KEYSTONE ELECTRONICS CORP. | | | |
| www.keyelco.com • ASTORIA, N.Y. 11105-2017 • Tel (718) 956-8900 | | | |
| PART NAME | | DUAL BANANA PLUG | |
| MATERIAL | | AS NOTED | |
| FINISH | | DRN BY | DATE |
| AS NOTED | | NT | 3.11.09 |
| | | APP'D | SCALE |
| | | | 1.5X |
| TOLERANCES | INCH [MM] | CODE | DWG NO. |
| DECIMAL | $\pm .005$ [± 0.15] | C/M | 6088-6089 |
| ANGULAR | $\pm 1^\circ$ | | |
| UNLESS OTHERWISE SPECIFIED | | | |

| DATE | DESCRIPTION | REV. |
|------|-------------|------|
| | | |