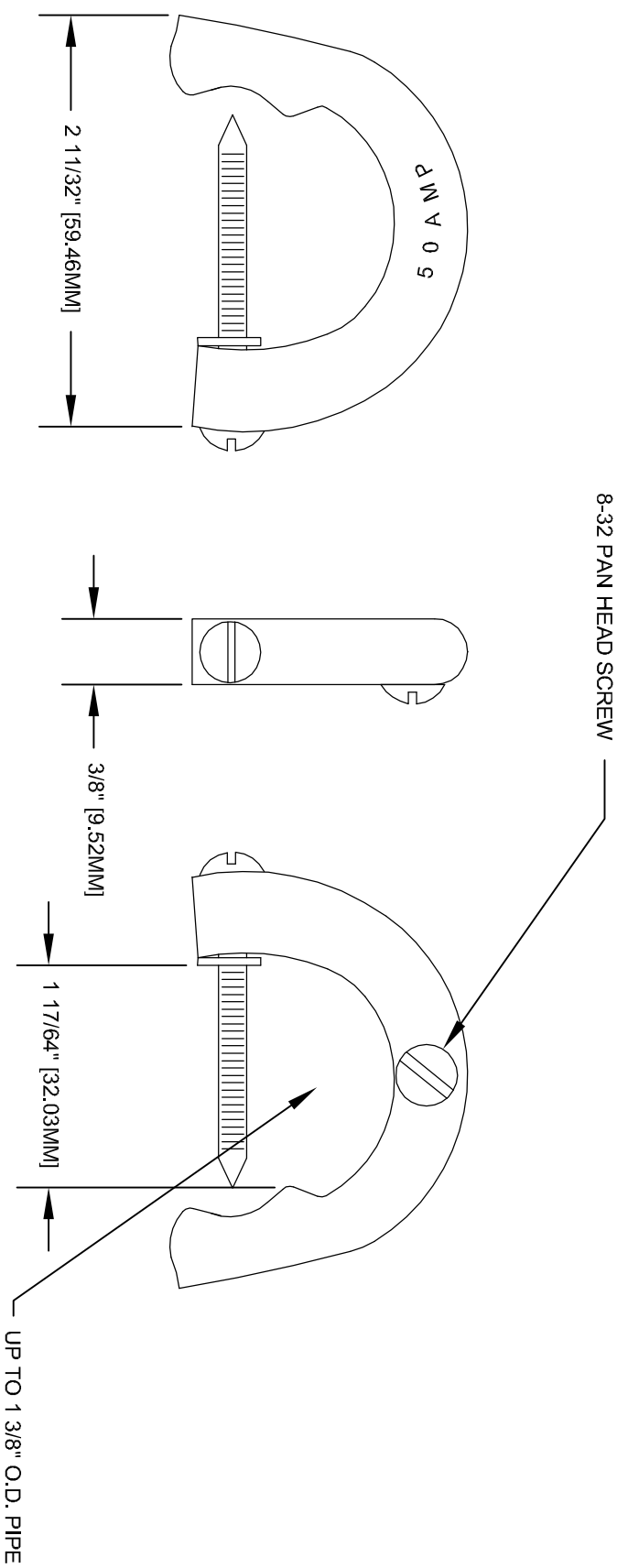


SPECCLEADS
by Silvertronix

Date	8-22-09	DRN BY	MEA	TITLE	GROUNDING CLAMP STEEL		ISSUE NO.	8-22-09		PART NO.	501958
MAT'L	STEEL	SCALE	NONE	CURRENT RATING:	50 AMP					PROJ. NO.	

This drawing is not to be disclosed to a third party without the authority from the company ©



FINISH: ZINC PLATED

ASSEMBLY NO.	PACKAGING :	PRINTING AS ILLUSTRATED	CONCENTRICITY:	ANGLES
--------------	-------------	-------------------------	----------------	--------