

Series image - Reference only

EU RoHS	China RoHS
ELV and RoHS Compliant	

### Search Parts in this Series

[19606 Series](#)

### Application Tooling

#### Global

#### Description

Hand Crimp Tool

Crimp Head for the AT-200™ Pneumatic Hand Tool

#### Product #

[0640010200](#)

[0640050200](#)

**Part Number:** **0196060005**

**Status:** **Active**

**Description:** Avikrimp™ Fully Insulated Quick Disconnect, Female, for 10-12 AWG Wire, Box

#### Documents:

- [Drawing \(PDF\)](#)
- [Related Catalog Page \(PDF\)](#)

#### Order Products:

- [Check Distributor Inventory](#)
- [Request Samples](#)

**Part Detail: [\(show all\)](#)**

- **General**
- **Physical**
- **Electrical**
- **Material Info**
- **Reference - Drawing Numbers**

**General**

Product Family	Quick Disconnects
Series	<u>19606</u>
Product Name	Avikrimp™
Type	Quick Disconnect

**Physical**

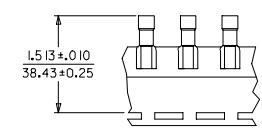
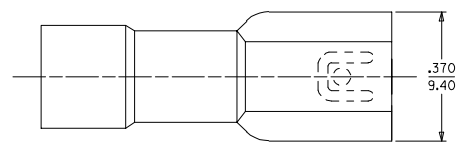
Barrel Type	Closed
Flammability	94V-2
Gender	Female
Insulation	Nylon (PA)
Lock to Mating Part	None
Material - Metal	Brass
Material - Plating Mating	Tin
Material - Plating Termination	Tin
Orientation	Straight
Packaging Type	Box
Plating min: Mating (uin)	100
Plating min: Mating (um)	2.5
Plating min: Termination (uin)	100
Plating min: Termination (um)	2.5
Polarized to Mating Part	No
Tab Thickness	0.81mm (.032")
Tab Width	6.35mm (.250")
Temperature Range - Operating	-65°C to +105°C
Termination Interface: Style	Crimp or Compression
Wire Insulation Diameter	5.84mm (.230") max.
Wire Size AWG	10
Wire Size AWG	12
Wire Size mm <sup>2</sup>	3.30 - 5.00

**Electrical**

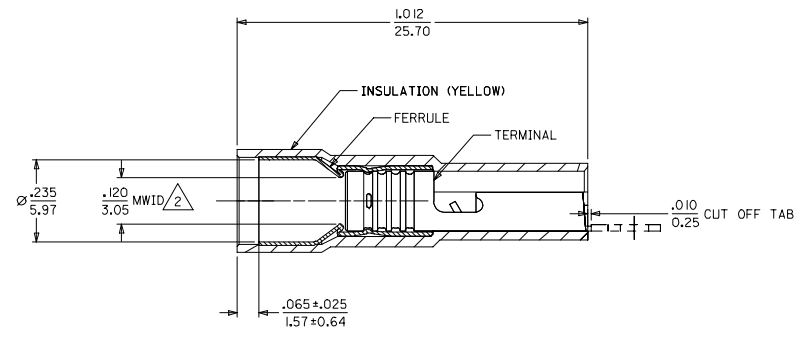
UL	E79133
Voltage - Maximum	300V

**Material Info**

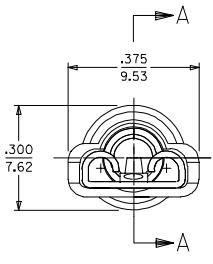
13	12	11	10	9	8	7	6	5	4	3	2	1
MATERIAL NUMBER	ENGINEERING NUMBER	CARRIER STYLE										
I96065005	I9606-5005	LOOSE PIECE										
I96065006	I9606-5006	TAPE MOUNT										



PARTS ON TAPE



SECTION A-A  
TERMINAL NOT SECTIONED



NOTES:  
 I. MATERIAL:  
 INSULATION: NYLON 94V2.  
 TERMINAL: TIN PLATED BRASS.  
 △ MWID = MAXIMUM WIRE INSULATION DIAMETER.

SALES DRAWING

WAS RSD DWG EC NO: ETC2005-0164 DRAWN BY: 2005/03/15 CHECKED BY: 2005/04/01 APPROVED BY: 2005/04/01	QUALITY SYMBOLS	GENERAL TOLERANCES (UNLESS SPECIFIED)	DIMENSION STYLE IN/MM	SCALE 5:1	DESIGN UNITS INCH	THIRD ANGLE PROJECTION
	▽=0	4 PLACES ± --- ± ---	DRAWN BY: BRE DATE: 2005/03/15	TITLE: FIQD FEMALE AVIKRIMP HIGH RETENTION .250 X.032 TAB 12-10 AWG		
	▽=0	3 PLACES ± --- ± .005	CHECKED BY: DATE: 2005/03/15	MATERIAL NO. MOLEX INCORPORATED	DOCUMENT NO. SD-19606-401	SHEET NO. 1 OF 1
		2 PLACES ± 0.13 ± .01	APPROVED BY: DATE: 2005/03/15	DRAFT WHERE APPLICABLE MUST REMAIN WITHIN DIMENSIONS		
		1 PLACE ± 0.25 ± ---	SIZE C	THIS DRAWING CONTAINS INFORMATION THAT IS PROPRIETARY TO MOLEX INCORPORATED AND SHOULD NOT BE USED WITHOUT WRITTEN PERMISSION		
		ANGULAR ± 1/2°				